

**Model K3
(H310/H311)
PARTS CATALOG**

First edition, July 2002

Ricoh Company, LTD.

Model K3 (H310/H311)

PARTS CATALOG

This catalog gives the numbers and names of parts on this machine.

| | |
|----------------------------------|----------------------|
| Model K 3 | (H310/H311) |
| Paper Feed Unit Type 510 | (H206) |
| Bypass Feeder Type 510 | (H207) |
| ISDN G4/G3 Fax/NIC Fax Type 510 | (H208/H209/ H210) |
| Printer Interface Unit Type 510 | (B516) |
| 1394 Interface Unit Type 4510 | (G336) |
| IEEE802.11b Interface Kit Type B | (B515) |

Model K3 (H310/H311)

Model K3 (H310/H311)

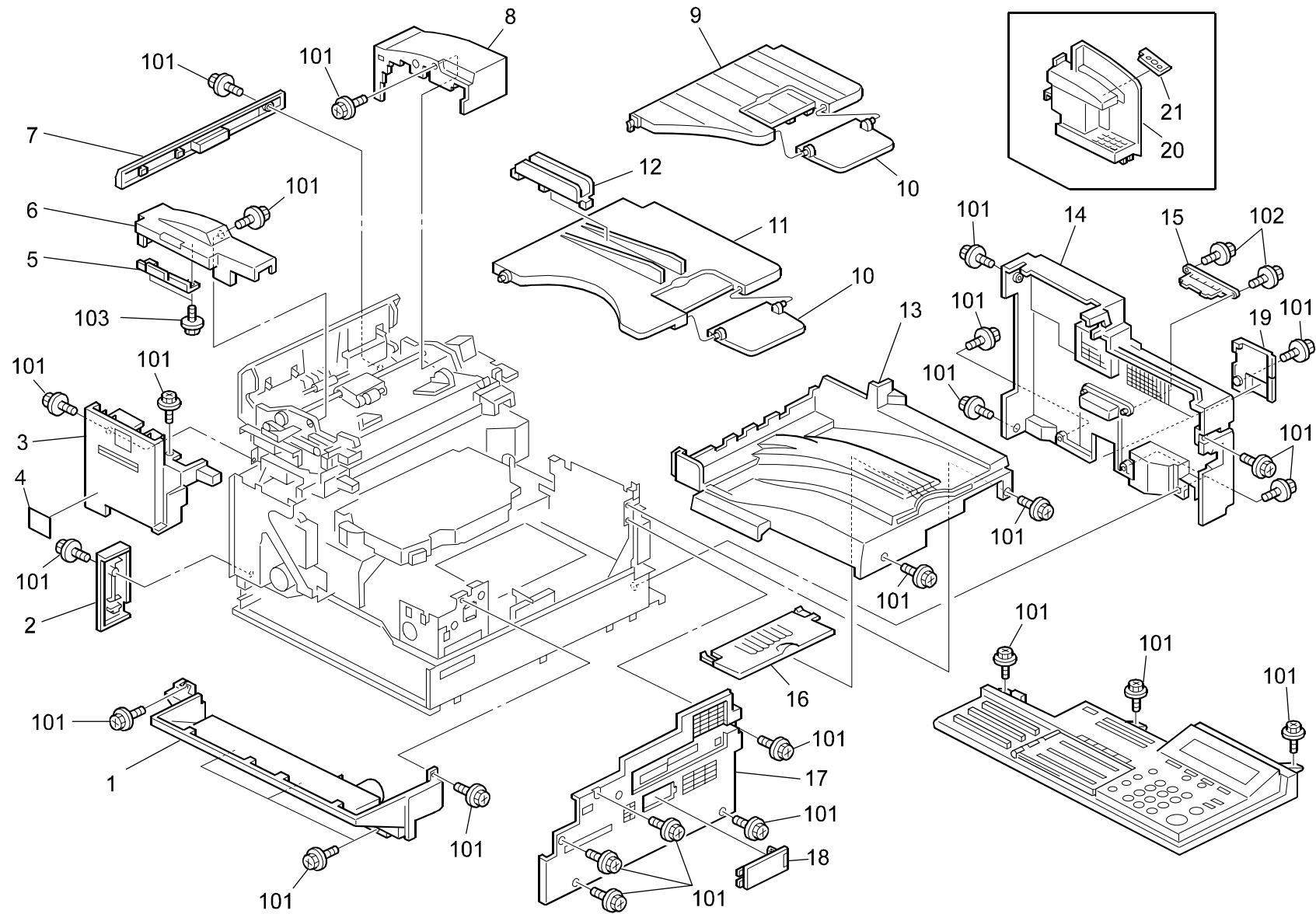
PARTS CATALOG

This catalog gives the numbers and names of parts on this machine.

| | | | |
|---|----|--|-----------|
| 1.EXTERIOR (H310/H311) | 2 | 19.ELECTRICAL SECTION 3 (H310/H311)..... | 38 |
| 2.OPERATION PANEL (H310/H311)..... | 4 | 20.FRAME SECTION 1 (H310/H311) | 40 |
| 3.ADF UNIT 1 (H310/H311) | 6 | 21.FRAME SECTION 2 (H310/H311) | 42 |
| 4.ADF UNIT 2 (H310/H311) | 8 | 22.NCU BOARD (H310/H311) | 44 |
| 5.ADF UNIT 3 (H310/H311) | 10 | 23.FCU BOARD (H310/H311)..... | 46 |
| 6.ADF UNIT 4 (H310/H311) | 12 | 24.DECALS AND DOCUMENTS (H310/H311)..... | 56 |
| 7.OPTICS SECTION (H310/H311) | 14 | 25.SPECIAL TOOLS (H310/H311)..... | 58 |
| 8.TRANSPORT SECTION (H310/H311) | 16 | PARTS INDEX..... | 61 |
| 9.LASER UNIT (H310/H311)..... | 18 | | |
| 10.PAPER TRAY (H310/H311) | 20 | | |
| 11.PAPER REGISTRATION (H310/H311) | 22 | | |
| 12.VERTICAL TRANSPORT (H310/H311)..... | 24 | | |
| 13.FUSING UNIT 1 (H310/H311)..... | 26 | | |
| 14.FUSING UNIT 2 (H310/H311)..... | 28 | | |
| 15.DRIVE SECTION 1 (H310/H311)..... | 30 | | |
| 16.DRIVE SECTION 2 (H310/H311)..... | 32 | | |
| 17.ELECTRICAL SECTION 1 (H310/H311) | 34 | | |
| 18.ELECTRICAL SECTION 2 (H310/H311) | 36 | | |

June ,15 ' 2002

1.EXTERIOR (H310/H311)

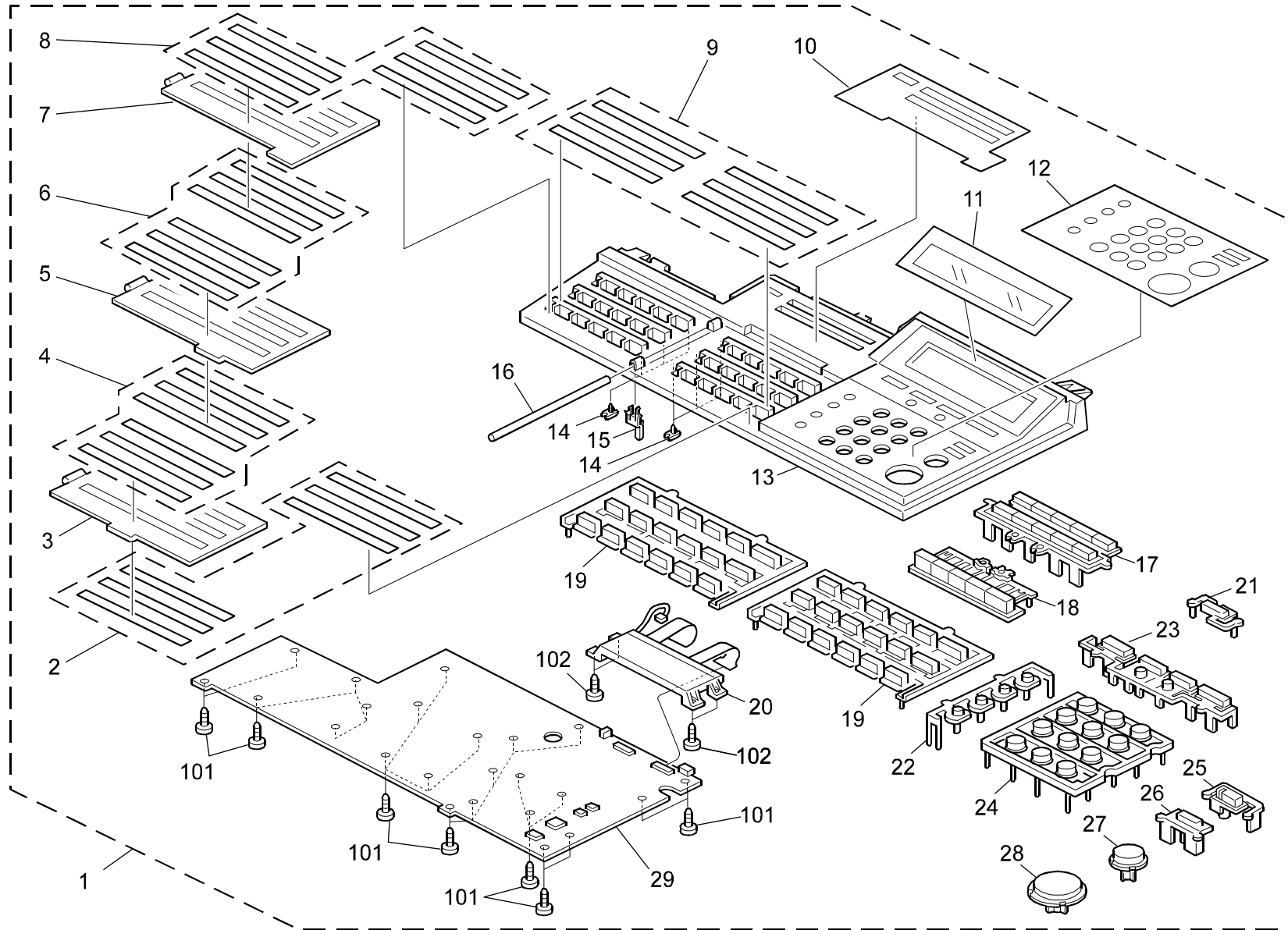


1.EXTERIOR (H310/H311)

| Index No. | Part No. | Description | Q'ty Per Assembly |
|-----------|-----------|-------------------|-------------------|
| 1 | H310 4181 | Cover:front | 1 |
| 2 | H310 4159 | Left Lower Cover | 1 |
| 3 | H310 4153 | Front Upper Cover | 1 |
| 4 | H311 4110 | NIC Fax Decal | 1 |
| 5 | H310 4165 | Display Cover | 1 |
| 6 | H310 4156 | ADF Front Cover | 1 |
| 7 | H310 4175 | Left Upper Cover | 1 |
| 8 | H310 4157 | ADF Rear Cover | 1 |
| 9 | H310 1218 | Original Table | 1 |
| 10 | H310 1231 | Original Guide | 2 |
| 11 | H310 1232 | Exit Tray | 1 |
| 12 | H310 1233 | Exit Tray Guide | 1 |
| 13 | H310 4173 | Upper Cover | 1 |
| 14 | H310 4172 | Rear Cover (H310) | 1 |
| 14 | H311 4172 | Rear Cover (H311) | 1 |
| 15 | H310 4168 | Rear Grip Cover | 1 |
| 16 | H310 4161 | Tray | 1 |
| 17 | H310 4174 | Right Cover | 1 |
| 18 | H310 4158 | IC Card Cover | 1 |
| 19 | H310 4160 | Paper Feed Cover | 1 |
| 20 | H306 4712 | Handset Bracket | 1 |
| 21 | H310 8400 | Handset Bracket | 1 |

| Index No. | Part No. | Description | Q'ty Per Assembly |
|-----------|------------|----------------------|-------------------|
| 101 | 0451 3008H | Tapping Screw - M3x8 | |
| 102 | 0450 3008H | Tapping Screw - M3x8 | |
| 103 | 0450 3008B | Tapping Screw - M3x8 | |

2. OPERATION PANEL (H310/H311)

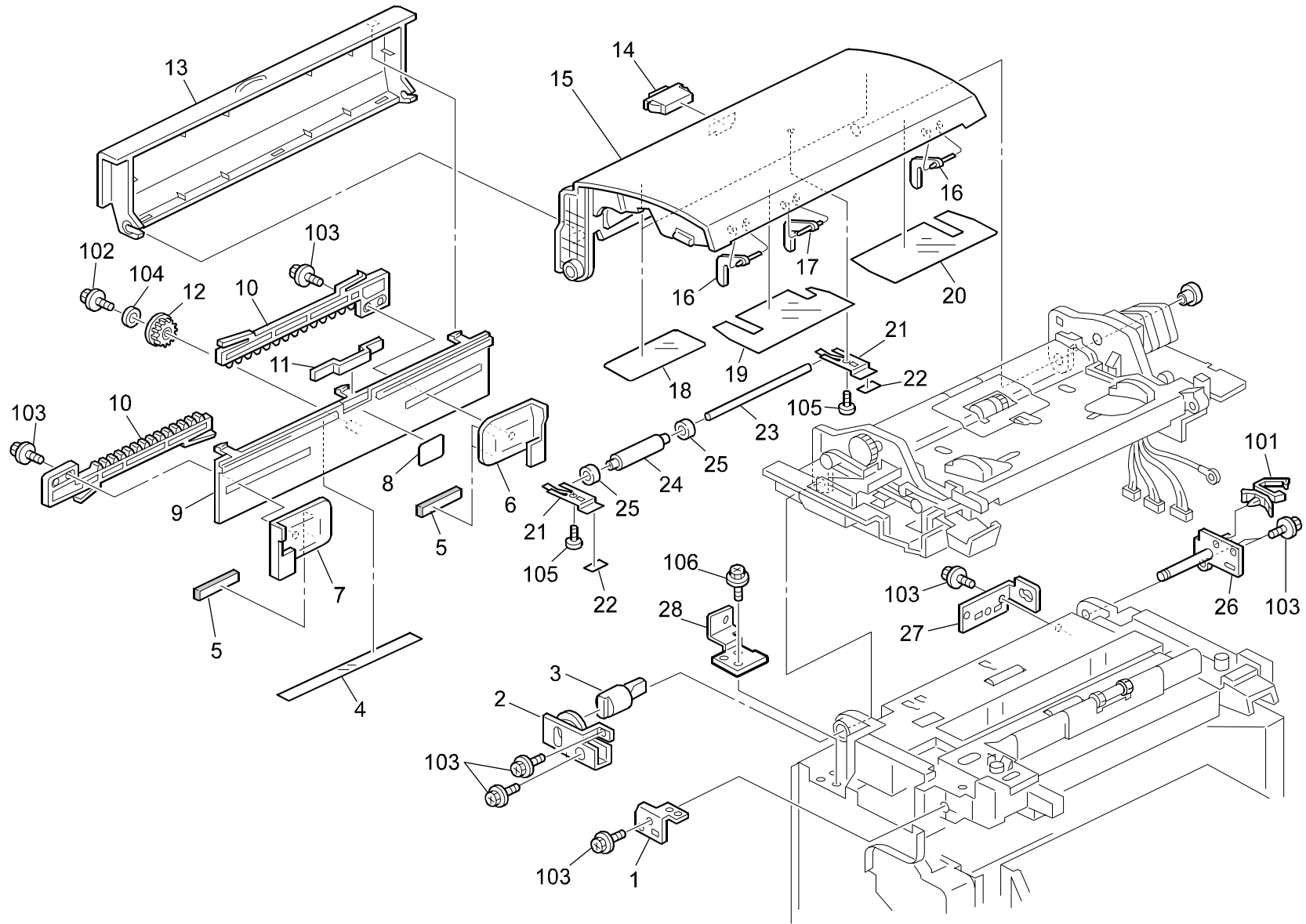


2.OPERATION PANEL (H310/H311)

| Index No. | Part No. | Description | Q'ty Per Assembly |
|-----------|-----------|--------------------------------|-------------------|
| 1 | H310 4401 | Operation Panel Ass'y (H310) | 1 |
| 1 | H311 4401 | Operation Panel Ass'y (H311) | 1 |
| 2 | H310 4446 | Dial Sheet 4 | 1 |
| 3 | H310 4432 | Quick Dial Plate 1 | 1 |
| 4 | H310 4445 | Dial Sheet 3 | 1 |
| 5 | H310 4433 | Quick Dial Plate 2 | 1 |
| 6 | H310 4444 | Dial Sheet 2 | 1 |
| 7 | H310 4434 | Quick Dial Plate 3 | 1 |
| 8 | H310 4443 | Dial Sheet 1 | 1 |
| 9 | H310 4456 | Label - Qwerty | 1 |
| 9 | H310 4458 | Label - ABC | 1 |
| 10 | H310 4454 | Sheet - Operation Panel (H310) | 1 |
| 10 | H310 4455 | Sheet - Operation Panel (H311) | 1 |
| 11 | H310 4442 | Sheet LCD | 1 |
| 12 | H310 4453 | 10key Decal | 1 |
| 13 | H310 4421 | Upper Cover | 1 |
| 14 | H310 4435 | Pin Quick Dial | 6 |
| 15 | H310 4437 | Shaft Cover | 1 |
| 16 | H310 4438 | Quick Dial Plate Shaft | 1 |
| 17 | H310 4429 | Keytop - Function | 1 |
| 18 | H310 4430 | Keytop - Mode Select | 1 |
| 19 | H310 4431 | Keytop - Dial | 2 |
| 20 | H310 5010 | LCD | 1 |
| 21 | H310 4427 | Keytop - Ini | 1 |
| 22 | H310 4425 | Keytop - Clear | 1 |
| 23 | H310 4426 | Keytop - LCD | 1 |
| 24 | H310 4451 | Keytop-10key | 1 |
| 25 | H310 4428 | Keytop - Reset Switch | 1 |
| 26 | H310 4423 | Keytop - Copy | 1 |
| 27 | H310 4436 | Keytop - Stop | 1 |
| 28 | H310 4422 | Keytop - Start | 1 |
| 29 | H310 6053 | Operation Panel Board | 1 |

| Index No. | Part No. | Description | Q'ty Per Assembly |
|-----------|------------|-----------------------|-------------------|
| 101 | 0452 3010H | Tapping Screw - M3x10 | |
| 102 | 0450 3008B | Tapping Screw - M3x8 | |

3.ADF UNIT 1 (H310/H311)

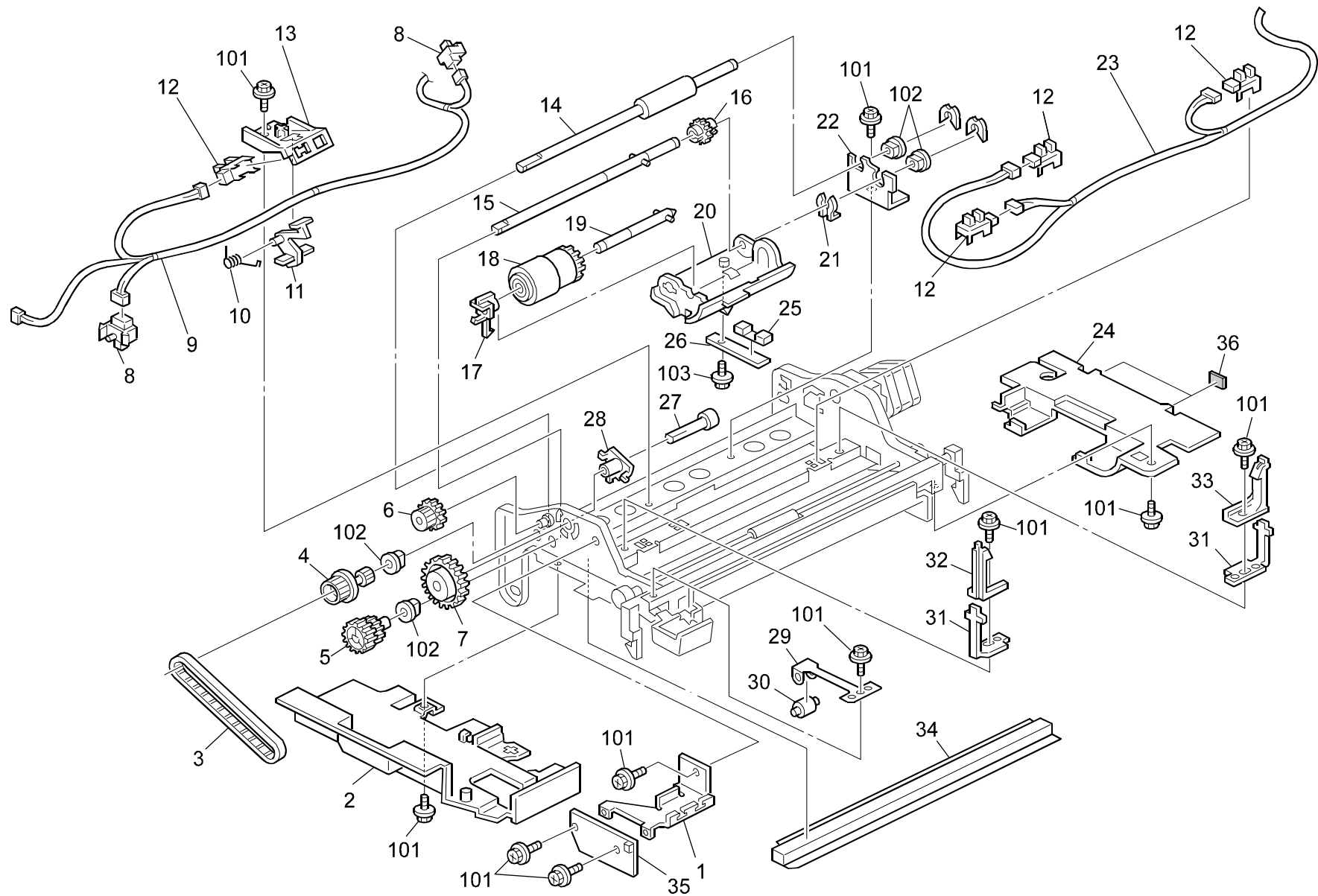


3.ADF UNIT 1 (H310/H311)

| Index No. | Part No. | Description | Q'ty Per Assembly |
|-----------|-----------|------------------------------------|-------------------|
| 1 | H306 1115 | Scanner Stopper Bracket | 1 |
| 2 | H310 1088 | Contact Point Front Bracket | 1 |
| 3 | H519 1176 | Oil Dunper | 1 |
| 4 | G800 3073 | Upper Seal | 1 |
| 5 | H519 1640 | Side Fence Sheet | 2 |
| 6 | H310 1216 | Manual Feed Rear ADF Guide | 1 |
| 7 | H310 1248 | Manual Feed Front Guide | 1 |
| 8 | H310 1250 | Decal Manual Feed ADF | 1 |
| 9 | H310 1215 | Manual Feed Table | 1 |
| 10 | H519 1665 | Side Fence Rack | 2 |
| 11 | H519 1607 | Support Plate - By-pass Feed Table | 1 |
| 12 | AB01 3492 | Gear - 16Z | 1 |
| 13 | H310 1245 | Manual Feed ADF Guide | 1 |
| 14 | H306 1317 | Cover Magnet | 1 |
| 15 | H310 1246 | ADF Upper Cover | 1 |
| 16 | H306 1265 | Paper Size Sensor Feeler | 2 |
| 17 | H306 1264 | S1 Feeler | 1 |
| 18 | H306 1268 | R0 Sheet | 1 |
| 19 | H306 1262 | Front Cover Sheet | 1 |
| 20 | H306 1263 | Rear Cover Sheet | 1 |
| 21 | H306 1318 | Spring Plate - R0 | 2 |
| 22 | H306 1319 | Spring Plate Shield - R0 | 2 |
| 23 | H519 1575 | R0 Roller Shaft | 1 |
| 24 | H519 1660 | R0 Pressure Roller | 1 |
| 25 | H519 1572 | R0 Roller Collar | 2 |
| 26 | H310 1089 | Contact Point Rear Bracket | 1 |
| 27 | H310 1104 | Contact Point Bracket | 1 |
| 28 | H310 1170 | Bracket Cover | 1 |

| Index No. | Part No. | Description | Q'ty Per Assembly |
|-----------|------------|-----------------------|-------------------|
| 101 | 1105 0460 | Clamp | |
| 102 | 0450 3006B | Tapping Screw - M3x6 | |
| 103 | 0450 3008B | Tapping Screw - M3x8 | |
| 104 | 0807 4069 | Washer - 6.2x12x0.4mm | |
| 105 | 0452 3008B | Tapping Screw - M3x8 | |
| 106 | 0451 3006B | Tapping Screw - M3x6 | |

4.ADF UNIT 2 (H310/H311)

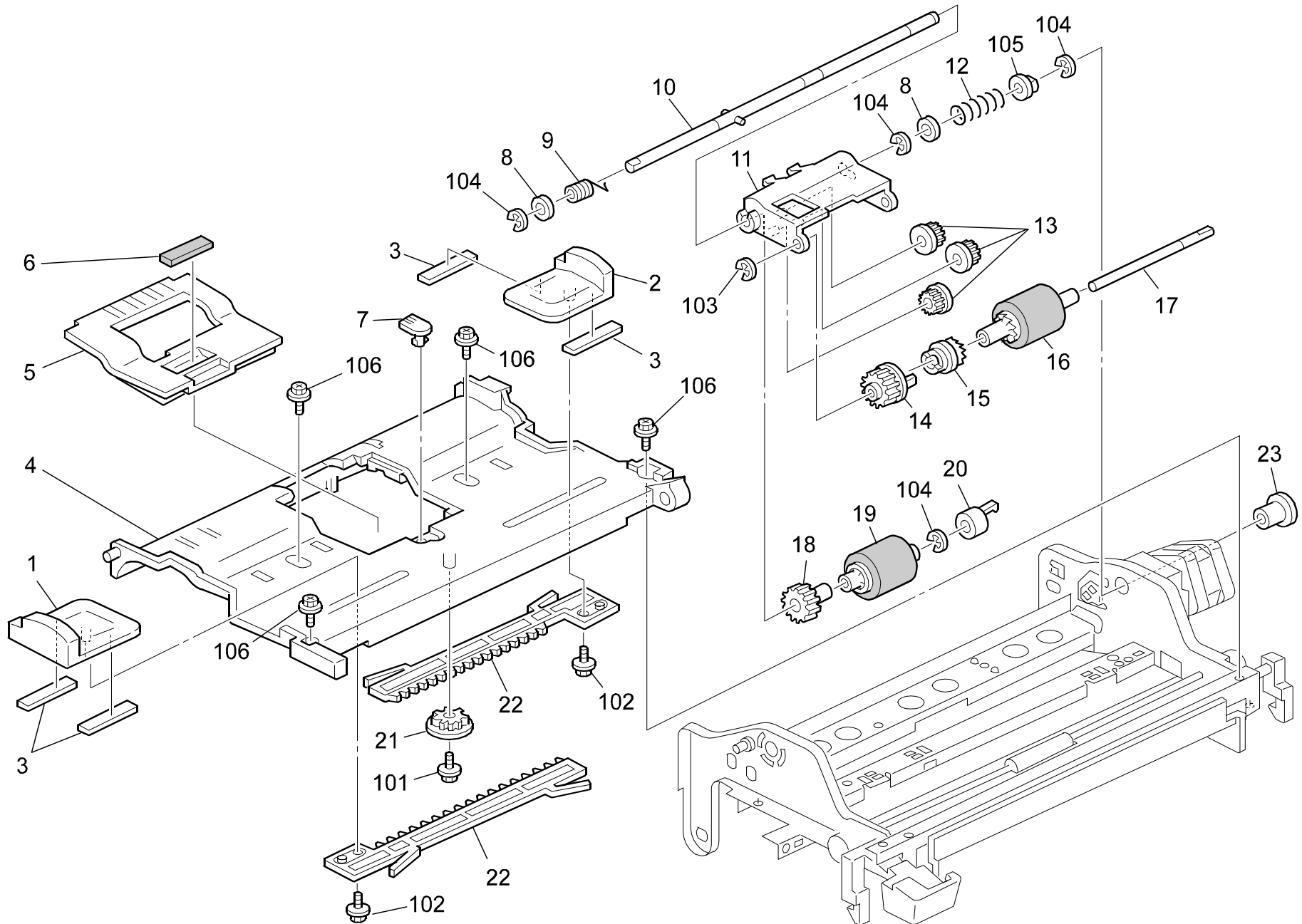


4.ADF UNIT 2 (H310/H311)

| Index No. | Part No. | Description | Q'ty Per Assembly |
|-----------|------------------|--------------------------------|-------------------|
| 1 | H310 1223 | PCB Bracket | 1 |
| 2 | H310 1290 | Front Lower ADF Cover | 1 |
| 3 | H306 1372 | Front Timing Belt | 1 |
| 4 | H306 1355 | R0 Pulley | 1 |
| 5 | H306 1357 | Front Drive Gear | 1 |
| 6 | H306 1356 | Front Slow Down Gear | 1 |
| 7 | H306 1330 | Front Torque Liniter | 1 |
| 8 | H515 5018 | Cover Switch - Fusing Exit | 2 |
| 9 | H310 5206 | RSB-ADF Harness 2 | 1 |
| 10 | H310 1222 | Feeler Spring | 1 |
| 11 | H306 1286 | S2 Feeler | 1 |
| 12 | AW02 0119 | Photointerruptor - LG-24811 | 4 |
| 13 | H306 1287 | S2 Bracket | 1 |
| 14 | H306 1294 | R0 Roller | 1 |
| 15 | H306 1369 | Drive Shaft | 1 |
| 16 | H306 1358 | Rear Drive Gear | 1 |
| 17 | H306 1285 | Reverse Roller Holder | 1 |
| 18 | H306 1293 | Reverse Roller | 1 |
| 19 | H306 1275 | Reverse Roller Shaft | 1 |
| 20 | H306 1273 | Separation Bracket | 1 |
| 21 | H006 2383 | Snap Ring | 1 |
| 22 | H306 1458 | R0 Bracket | 1 |
| 23 | H310 5205 | RSB-ADF Harness 1 | 1 |
| 24 | H310 1244 | Rear Lower ADF Cover | 1 |
| 25 | H519 1591 | Pad - Reverse | 1 |
| 26 | H519 1592 | Spring Plate | 1 |
| 27 | H306 1329 | Joint Shaft | 1 |
| 28 | H521 1290 | Busing | 1 |
| 29 | H306 1368 | Spring Plate - Front Tightener | 1 |
| 30 | H516 1262 | Roller - Belt Tensioning | 1 |
| 31 | H306 1299 | Lock Spring Plate | 2 |
| 32 | H306 1297 | Front Lock Cover | 1 |
| 33 | H306 1298 | Rear Lock Cover | 1 |
| 34 | H310 1270 | Pressure Plate | 1 |
| 35 | H310 6058 | SLB Board | 1 |

| Index No. | Part No. | Description | Q'ty Per Assembly |
|-----------|------------|----------------------|-------------------|
| 36 | H310 1261 | Rear Sponge Cover | 1 |
| 101 | 0451 3006B | Tapping Screw - M3x6 | |
| 102 | 0805 3480 | Bushing - 6mm | |
| 103 | 0450 3008B | Tapping Screw - M3x8 | |

5.ADF UNIT 3 (H310/H311)

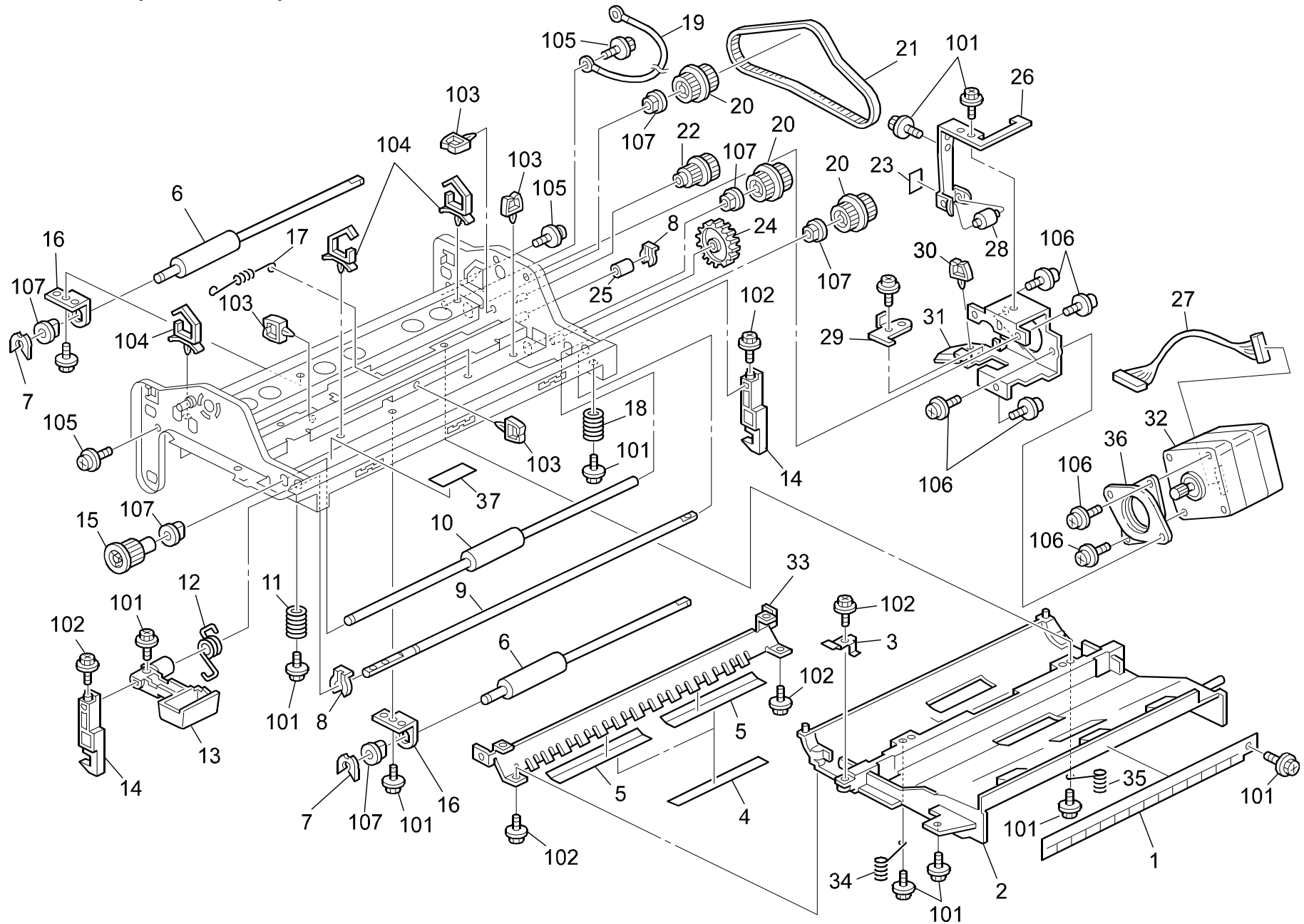


5.ADF UNIT 3 (H310/H311)

| Index No. | Part No. | Description | Q'ty Per Assembly |
|-----------|------------------|---------------------------|-------------------|
| 1 | H310 1242 | Front Original Guide | 1 |
| 2 | H310 1243 | Rear Original Guide | 1 |
| 3 | H306 1316 | Original Guide Sheet | 4 |
| 4 | H310 1240 | ADF Upper Guide | 1 |
| 5 | H310 1341 | Separation Cover | 1 |
| 6 | H521 1350 | Pad - Pick-up | 1 |
| 7 | H306 1282 | Separation Cover Stopper | 1 |
| 8 | H006 2316 | Clutch Spacer | 2 |
| 9 | H521 1314 | Spring Clutch - M6 | 1 |
| 10 | H306 1370 | Feed Shaft | 1 |
| 11 | H306 1274 | Feed Bracket | 1 |
| 12 | H306 1320 | Pressure Spring | 1 |
| 13 | H306 1361 | Pickup Idler Gear | 3 |
| 14 | H521 1287 | Gear - Pickup Roller | 1 |
| 15 | H521 1288 | Collar - Pickup | 1 |
| 16 | H306 1292 | Pickup Roller | 1 |
| 17 | H306 1276 | Pickup Roller Shaft | 1 |
| 18 | H521 1286 | Gear - Feed Roller | 1 |
| 19 | H310 1225 | Feed Roller | 1 |
| 20 | H306 1288 | Clutch Roller | 1 |
| 21 | H306 1283 | Original Tray Gear | 1 |
| 22 | H519 1665 | Side Fence Rack | 2 |
| 23 | H306 1261 | Contact Point Bushing | 1 |

| Index No. | Part No. | Description | Q'ty Per Assembly |
|-----------|------------|----------------------|-------------------|
| 101 | 0450 3006B | Tapping Screw - M3x6 | |
| 102 | 0450 3008B | Tapping Screw - M3x8 | |
| 103 | 0720 0030E | Retaining Ring - M3 | |
| 104 | 0720 0040E | Retaining Ring - M4 | |
| 105 | 0805 3480 | Bushing - 6mm | |
| 106 | 0451 3008H | Tapping Screw - M3x8 | |

6.ADF UNIT 4 (H310/H311)

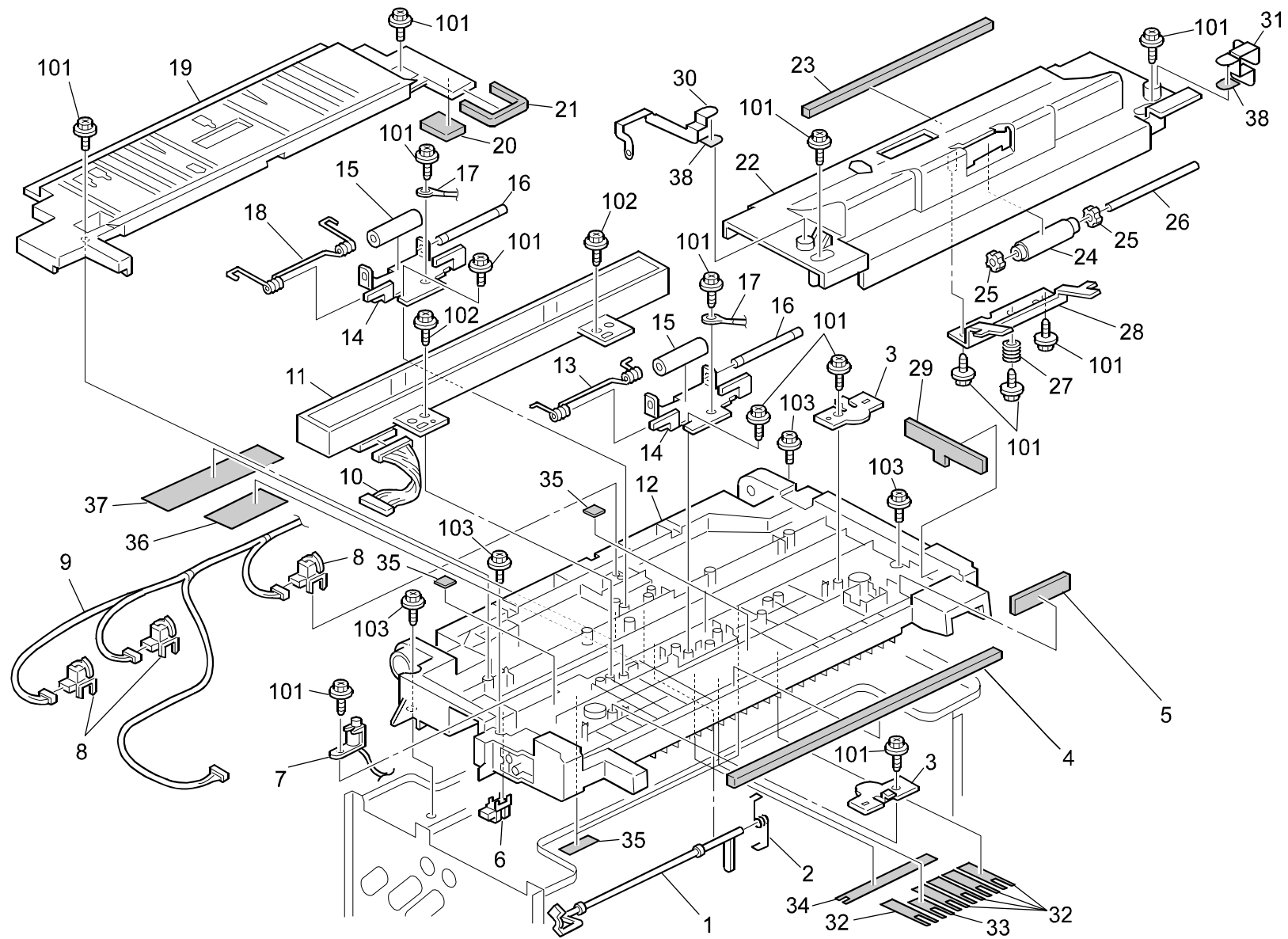


6.ADF UNIT 4 (H310/H311)

| Index No. | Part No. | Description | Q'ty Per Assembly |
|-----------|-----------|-------------------------------|-------------------|
| 1 | H306 1278 | Discharge Brush | 1 |
| 2 | H306 1309 | ADF Lower Guide | 1 |
| 3 | H306 1277 | Spring Plate | 1 |
| 4 | H306 1322 | Reverse Plate Sheet | 2 |
| 5 | H306 1321 | Reverse Guide Sheet | 2 |
| 6 | H306 1295 | R1 Roller | 1 |
| 7 | H515 3543 | E-ring - JRE4 | 2 |
| 8 | H006 2383 | Snap Ring | 2 |
| 9 | H310 1224 | Shaft | 1 |
| 10 | H306 1296 | Exit Roller | 1 |
| 11 | H306 1271 | Front Release Spring | 1 |
| 12 | H306 1266 | Un Lock Spring | 1 |
| 13 | H310 1320 | Lock Lever | 1 |
| 14 | H519 1549 | Front Lock Lever | 2 |
| 15 | H306 1354 | Exit Pulley | 1 |
| 16 | H306 1459 | R1 Bracket | 1 |
| 17 | H306 1315 | Pressure Reverse Spring | 1 |
| 18 | H306 1272 | Rear Release Spring | 1 |
| 19 | H306 1279 | Grounding Wire | 1 |
| 20 | H306 1352 | R1 Pulley | 3 |
| 21 | H306 1371 | Rear Timing Belt | 1 |
| 22 | H306 1360 | Slow Down Gear | 1 |
| 23 | H306 1325 | Rear Tightener Sheet | 1 |
| 24 | H306 1353 | Rear Idler Gear | 1 |
| 25 | H306 1374 | Bushing - 6x10mm | 1 |
| 26 | H306 1367 | Spring Plate - Rear Tightener | 1 |
| 27 | H310 5232 | ADF Motor Harness | 1 |
| 28 | H516 1262 | Roller - Belt Tensioning | 1 |
| 29 | H306 1475 | Tightener Bracket | 1 |
| 30 | H310 1260 | Harness Clamp | 1 |
| 31 | H306 1480 | Motor Bracket | 1 |
| 32 | H310 5060 | Stepper Motor | 1 |
| 33 | H310 1280 | Reverse Guide Plate | 1 |
| 34 | H310 1350 | Pressure Plate Front Spring | 1 |
| 35 | H310 1351 | Pressure Plate Rear Spring | 1 |

| Index No. | Part No. | Description | Q'ty Per Assembly |
|-----------|------------|--------------------------------------|-------------------|
| 36 | H306 1373 | Stepper Motor Cushion | 1 |
| 37 | H306 1332 | Sheet Guide ADF Lower | 1 |
| 101 | 0451 3006B | Tapping Screw - M3x6 | |
| 102 | 0450 3008B | Tapping Screw - M3x8 | |
| 103 | 1105 0344 | Clamp | |
| 104 | 1105 0460 | Clamp | |
| 105 | 0951 3004B | Philps Screw With Flat Washer - M3x4 | |
| 106 | 0951 3006 | Philips Screw With Flat Washer M3x6 | |
| 107 | 0805 3480 | Bushing - 6mm | |

7.OPTICS SECTION (H310/H311)

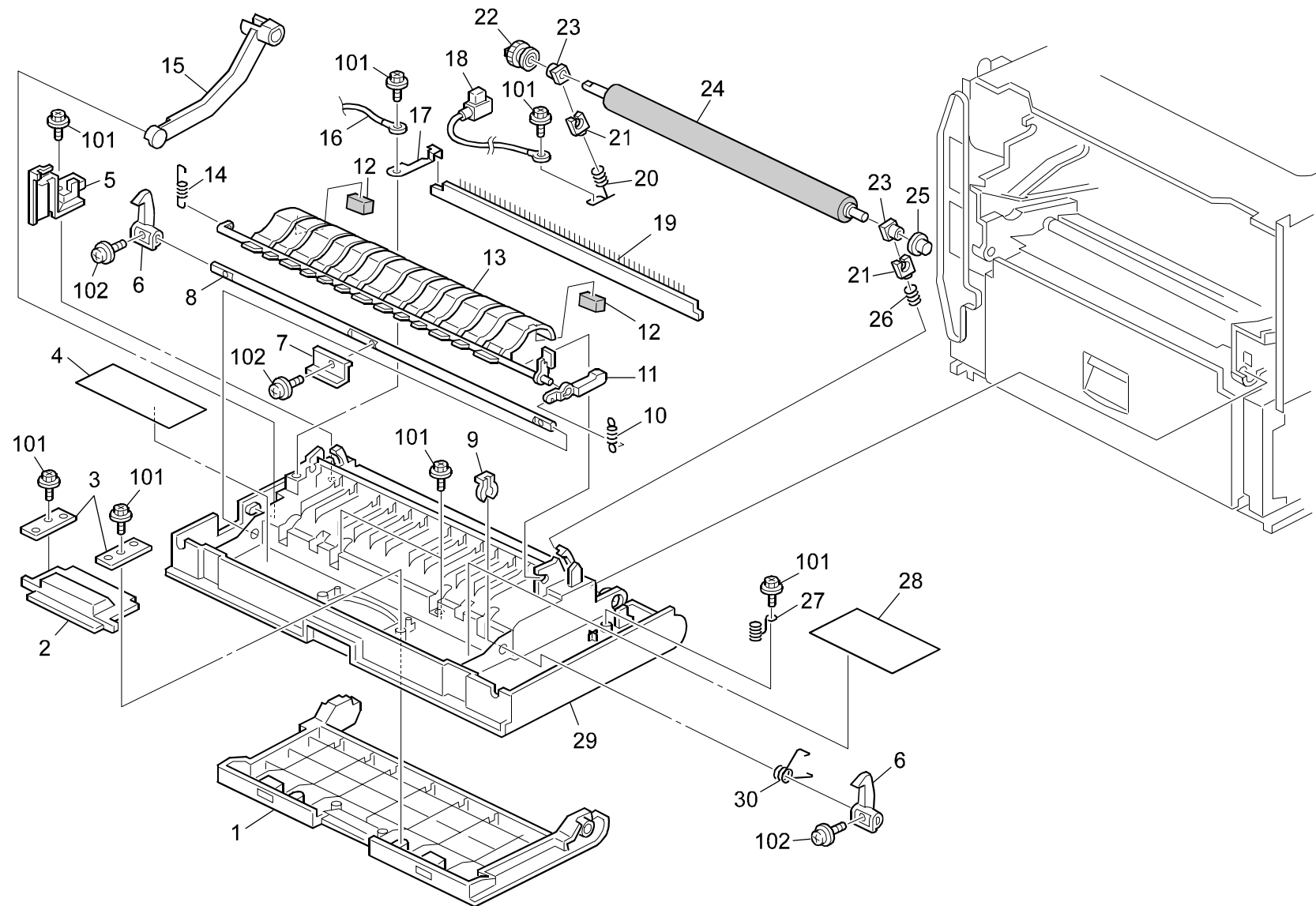


7.OPTICS SECTION (H310/H311)

| Index No. | Part No. | Description | Q'ty Per Assembly |
|-----------|-----------|------------------------------|-------------------|
| 1 | H310 2165 | Exit Feeler | 1 |
| 2 | H306 1102 | Exit Feeler Spring | 1 |
| 3 | H306 1105 | Base Cover Bracket | 2 |
| 4 | H310 1116 | Scanner Sponge | 1 |
| 5 | H310 1118 | Scanner Sponge | 1 |
| 6 | H523 5003 | Photointerrupter | 1 |
| 7 | H511 5005 | Stamper | 1 |
| 8 | H306 5050 | Original Sensor | 3 |
| 9 | H310 5204 | RSB-SCN Harness | 1 |
| 10 | H310 5275 | Cis Relay Harness | 1 |
| 11 | H310 1030 | Contact Image Sensor | 1 |
| 12 | H310 1080 | Scanner Base | 1 |
| 13 | H310 1071 | R2 Roller Spring | 1 |
| 14 | H310 1081 | R1 Roller Stay | 2 |
| 15 | H519 1209 | Pressure Roller | 2 |
| 16 | H310 1103 | R1 Pressure Roller Shaft | 2 |
| 17 | H310 5150 | Ground Wire R1 Roller | 1 |
| 18 | H310 1083 | R1 Roller Spring | 1 |
| 19 | H310 1085 | R1 Roller Guide | 1 |
| 20 | H310 1113 | Scanner Sponge | 1 |
| 21 | H310 1114 | Scanner Sponge | 1 |
| 22 | H310 1196 | Exit Guide | 1 |
| 23 | H310 1115 | Scanner Sponge | 1 |
| 24 | H519 1660 | R0 Pressure Roller | 1 |
| 25 | H306 1327 | Exit Collar | 2 |
| 26 | H519 1212 | Pressure Roller Shaft | 1 |
| 27 | H310 1098 | Earth Spring | 1 |
| 28 | H310 1097 | Pressure Roller Spring Plate | 1 |
| 29 | H310 1117 | Scanner Sponge | 1 |
| 30 | H310 1180 | Front Grounding Plate | 1 |
| 31 | H310 1181 | Rear Grounding Plate | 1 |
| 32 | H310 1151 | Sheet | 5 |
| 33 | H310 1150 | Sheet | 1 |
| 34 | H310 1152 | Sheet | 1 |
| 35 | H310 1121 | Scanner Sheet | 5 |

| Index No. | Part No. | Description | Q'ty Per Assembly |
|-----------|------------|-----------------------|-------------------|
| 36 | H310 1120 | Scanner Sheet | 1 |
| 37 | H310 1119 | Scanner Sheet | 1 |
| 38 | H310 1190 | Grounding Plate | 2 |
| 101 | 0450 3008B | Tapping Screw - M3x8 | |
| 102 | 0450 3010B | Tapping Screw - M3x10 | |
| 103 | 0451 3006B | Tapping Screw - M3x6 | |

8. TRANSPORT SECTION (H310/H311)

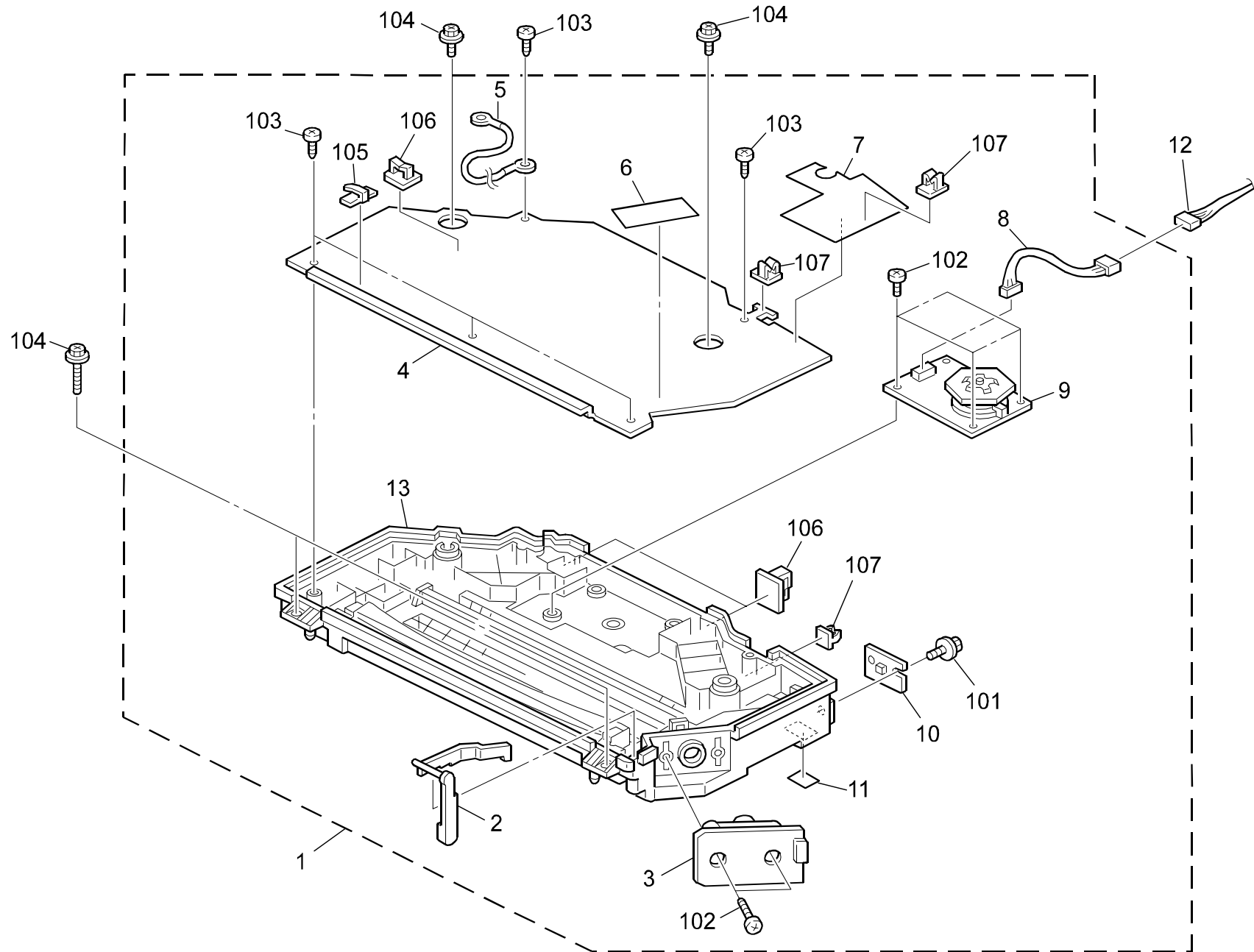


8. TRANSPORT SECTION (H310/H311)

| Index No. | Part No. | Description | Q'ty Per Assembly |
|-----------|------------------|---------------------------------|-------------------|
| 1 | H310 4190 | Manual Feed Cover | 1 |
| 2 | H310 4171 | Lock Lever Button | 1 |
| 3 | H306 3149 | Lock Button Guide | 2 |
| 4 | H310 2350 | Decal Aio | 1 |
| 5 | G029 1253 | Left Harness Cover - P3 | 1 |
| 6 | H306 3111 | Lock Lever | 2 |
| 7 | H306 3241 | Lock Lever | 1 |
| 8 | H306 3113 | Lock Lever Shaft | 1 |
| 9 | H521 3355 | C Ring - Paper Feed Roller | 1 |
| 10 | G029 3861 | Release Spring | 1 |
| 11 | H306 3182 | Shutter Release Plate | 1 |
| 12 | G029 3867 | Shutter Cushion | 2 |
| 13 | H306 3143 | Transfer Roller Shutter - A3 | 1 |
| 14 | H306 3150 | Shutter Spring | 1 |
| 15 | H306 3124 | Shutter Arm | 1 |
| 16 | H310 5165 | Groundinh Wire | 1 |
| 17 | G029 3864 | Discharge Brush Terminal | 1 |
| 18 | H310 7247 | High Voltage Line Harness | 1 |
| 19 | G029 3967 | Discharge Brush | 1 |
| 20 | G030 3858 | Pressure Spring | 1 |
| 21 | H515 2455 | Holder - Transfer Roller - Left | 2 |
| 22 | H306 3177 | Gear - 30Z | 1 |
| 23 | H306 3179 | Transfer Spacer Bushing | 2 |
| 24 | G029 3950 | Transfer Roller | 1 |
| 25 | H306 3178 | Positioning Roller | 1 |
| 26 | G029 3854 | Compression Spring | 1 |
| 27 | H306 3148 | Left Spring Cover | 1 |
| 28 | H310 2199 | Decalt Fusing | 1 |
| 29 | H310 3110 | Left Cover | 1 |
| 30 | H306 3114 | Lock Spring | 1 |

| Index No. | Part No. | Description | Q'ty Per Assembly |
|-----------|------------|-------------------------------------|-------------------|
| 101 | 0450 3008B | Tapping Screw - M3x8 | |
| 102 | 0951 3006 | Philips Screw With Flat Washer M3x6 | |

9.LASER UNIT (H310/H311)

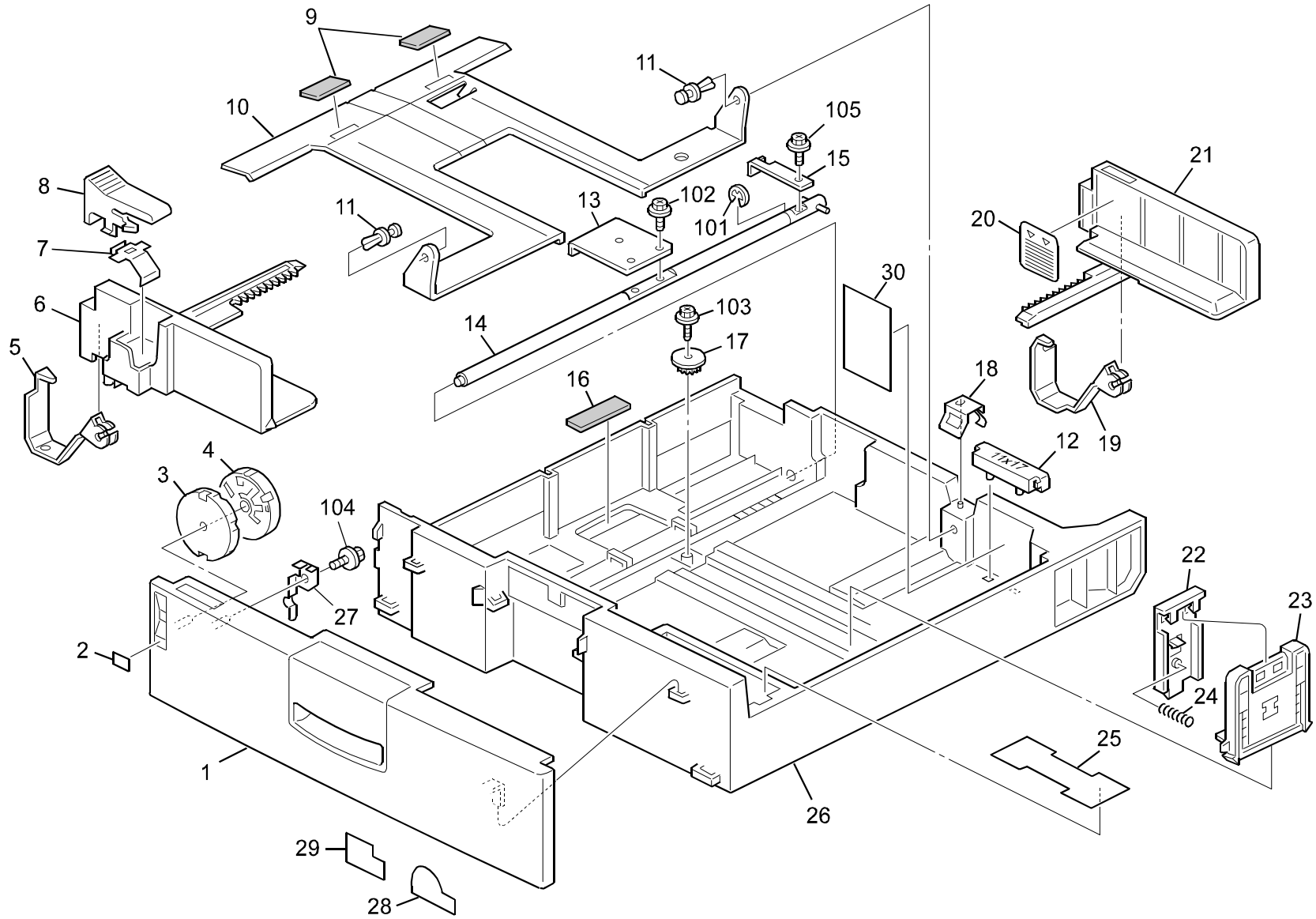


9.LASER UNIT (H310/H311)

| Index No. | Part No. | Description | Q'ty Per Assembly |
|-----------|-----------|-------------------------------------|-------------------|
| 1 | H310 2705 | Laser Protter Unit | 1 |
| 2 | H310 2714 | Shutter - LD Unit | 1 |
| 3 | G039 1911 | Laser Diode Unit Ass'y | 1 |
| 4 | G029 1907 | Optical Housing Cover | 1 |
| 5 | H306 2712 | Grounding Wire | 1 |
| 6 | G029 1982 | LD - Decal | 1 |
| 7 | H310 2702 | Laser Protter Unit Sheet | 1 |
| 8 | G020 5439 | Harness - Polygon Mirror Motor | 1 |
| 9 | AX06 0181 | Polygon Mirror Motor - RP2 - DC 17W | 1 |
| 10 | A232 5310 | Laser Sync. Detector | 1 |
| 11 | AA15 0332 | Seal - 0.19x18x22 | 1 |
| 12 | H310 5236 | Polygon Mirror Motor Harness | 1 |
| 13 | G029 1900 | Optical Housing | 1 |

| Index No. | Part No. | Description | Q'ty Per Assembly |
|-----------|------------|----------------------------|-------------------|
| 101 | 0450 3008B | Tapping Screw - M3x8 | |
| 102 | 0452 3010B | Tapping Bind Screw - M3x10 | |
| 103 | 0452 3008B | Tapping Screw - M3x8 | |
| 104 | 0450 3012B | Tapping Screw - 3x12 | |
| 105 | 1105 0109 | Cord Keep | |
| 106 | 1105 0350 | Wire Saddle - 1m | |
| 107 | 1105 0368 | Clump - Mn-2 | |

10.PAPER TRAY (H310/H311)

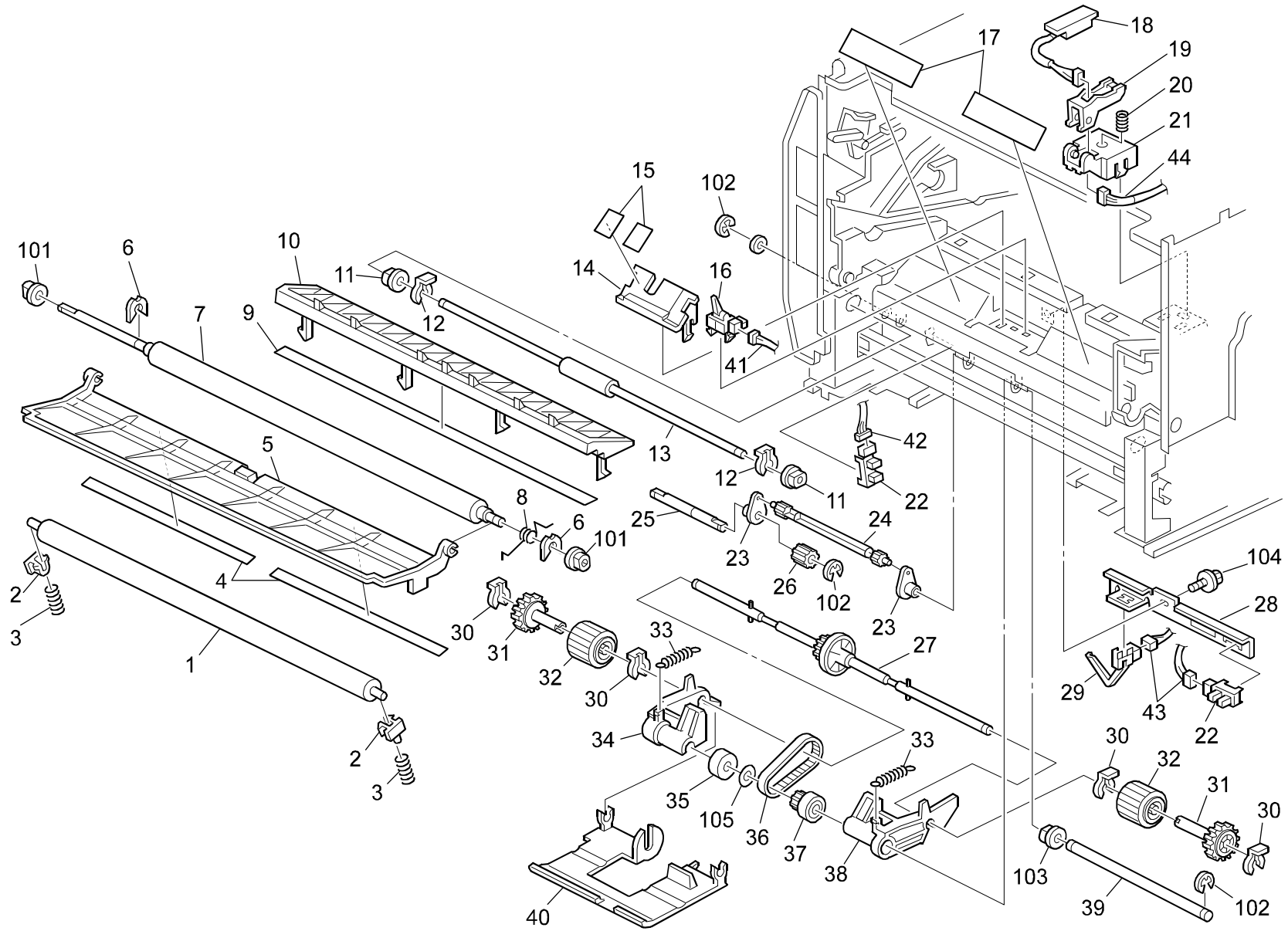


10.PAPER TRAY (H310/H311)

| Index No. | Part No. | Description | Q'ty Per Assembly |
|-----------|-----------|-----------------------------|-------------------|
| 1 | H310 3351 | Paper Tray Cover | 1 |
| 2 | H310 3359 | Decal Paper Level | 1 |
| 3 | H310 3362 | Paper Size Sensor Board | 1 |
| 4 | H519 3033 | Paper Size Sensor - Rear | 1 |
| 5 | H310 3376 | Separation Hook - Front | 1 |
| 6 | H519 4777 | Rear Side Fence | 1 |
| 7 | A134 2978 | Spring Plate | 1 |
| 8 | H519 4779 | Stopper Lever | 1 |
| 9 | AF01 3015 | Friction Pad | 2 |
| 10 | H310 3378 | Bottom Plate | 1 |
| 11 | A048 2838 | Nylon Rivet | 2 |
| 12 | H310 3348 | Spacer | 1 |
| 13 | G697 2669 | Lift Bracket - Bottom Plate | 1 |
| 14 | H519 4785 | Paper Lift Shaft | 1 |
| 15 | H519 4787 | Paper Level Actuator | 1 |
| 16 | H519 4793 | Lever Cushion | 1 |
| 17 | AB01 3868 | Gear - 16Z | 1 |
| 18 | H519 4788 | Grounding Plate | 1 |
| 19 | H310 3377 | Separation Hook - Rear | 1 |
| 20 | H310 3357 | Decal - Side Fence | 1 |
| 21 | H519 4778 | Front Side Fence | 1 |
| 22 | G697 2666 | End Fence Holder | 1 |
| 23 | H519 4790 | End Fence | 1 |
| 24 | AA06 3390 | Rear Fence Spring | 1 |
| 25 | H310 3360 | Paper Set Direction Decal | 1 |
| 26 | H310 3373 | Paper Tray | 1 |
| 27 | H310 3365 | Spring Plate | 1 |
| 28 | GA00 3035 | Energy Decal | 1 |
| 29 | B404 3861 | SG3 Decal | 1 |
| 30 | H310 3358 | Decal - DLT | 1 |

| Index No. | Part No. | Description | Q'ty Per Assembly |
|-----------|------------|------------------------------|-------------------|
| 101 | 0720 0060E | Retaining Ring - M6 | |
| 102 | 0451 4008B | Philips Tapping Screw - M4x8 | |
| 103 | 0450 4008B | Tapping Screw - 4x8 | |
| 104 | 0450 3008B | Tapping Screw - M3x8 | |
| 105 | 0451 3006B | Tapping Screw - M3x6 | |

11.PAPER REGISTRATION (H310/H311)

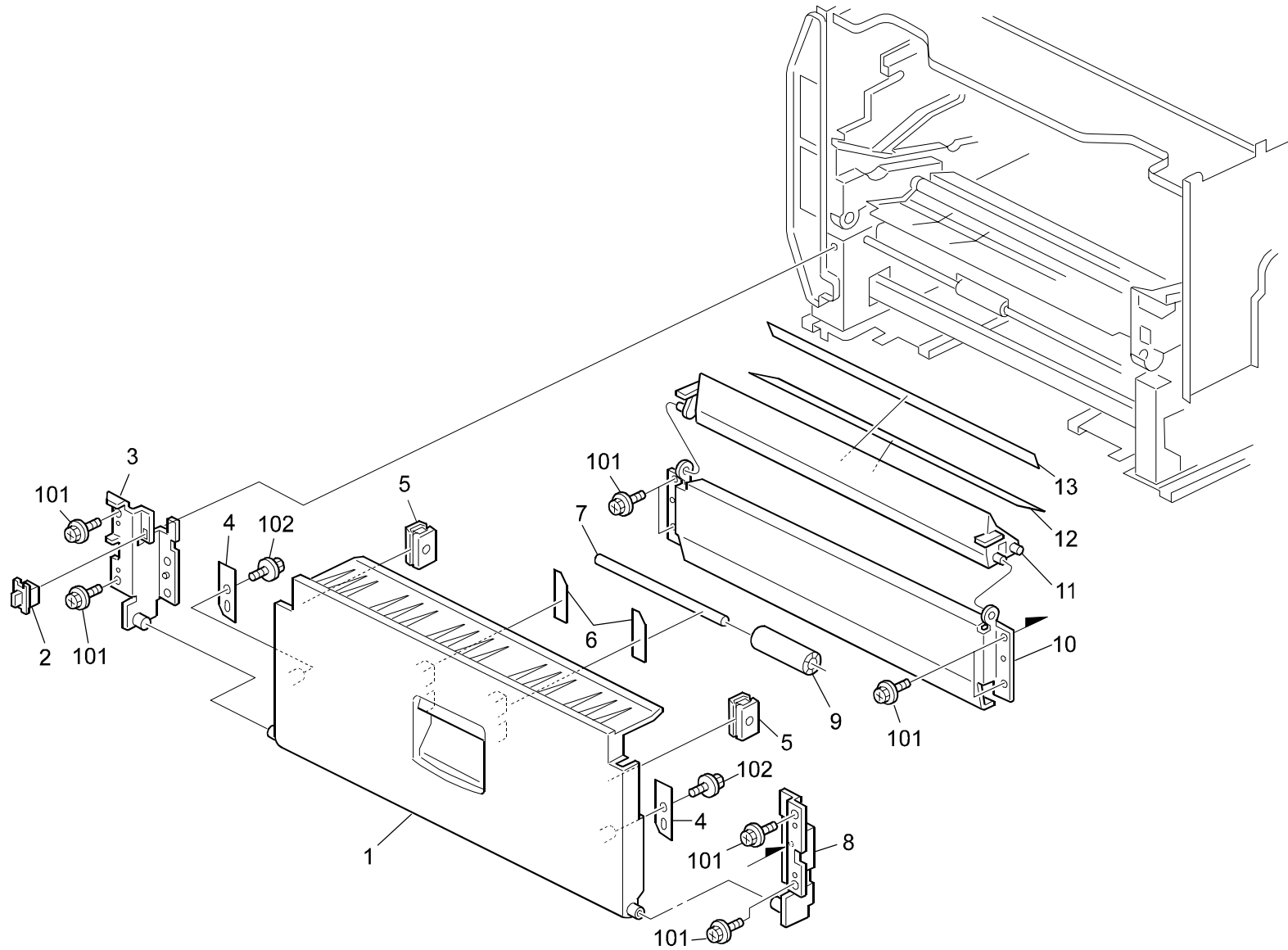


11.PAPER REGISTRATION (H310/H311)

| Index No. | Part No. | Description | Q'ty Per Assembly |
|-----------|------------------|-------------------------------|-------------------|
| 1 | G800 3061 | Driven Regist Roller | 1 |
| 2 | H306 3404 | Driven Roller Bushing | 2 |
| 3 | G800 3093 | Compression Spring | 2 |
| 4 | H306 3406 | Upper Film | 2 |
| 5 | H310 3319 | Guide Plate | 1 |
| 6 | H515 3543 | E-ring - JRE4 | 2 |
| 7 | H310 3318 | Registration Roller | 1 |
| 8 | H306 3408 | Registration Spring | 1 |
| 9 | H306 3146 | Registration Scraper | 1 |
| 10 | H306 3137 | Rear Registration Guide | 1 |
| 11 | AA08 2070 | Bushing - 8x16x7 | 2 |
| 12 | 5215 2621 | Snap Ring - M6 | 2 |
| 13 | H310 3315 | Transport Roller | 1 |
| 14 | H306 3403 | Registration Sensor Cover | 1 |
| 15 | H306 3435 | Lower Film 2 | 2 |
| 16 | H306 5043 | Registration Sensor | 1 |
| 17 | H310 3374 | Registration Lower Film | 2 |
| 18 | H310 5072 | Toner End Sensor | 1 |
| 19 | G029 1062 | Toner End Sensor Holder | 1 |
| 20 | G800 1217 | Toner End Sensor Spring | 1 |
| 21 | G029 1061 | Toner End Sensor Bracket | 1 |
| 22 | AW02 0119 | Photointerruptor - LG-2481 | 1 |
| 23 | G697 2561 | Bushing | 2 |
| 24 | AB01 0103 | Relay Gear | 1 |
| 25 | H310 3317 | Feed Shaft | 1 |
| 26 | AB01 0104 | Gear - 24Z | 1 |
| 27 | H310 3340 | Paper Feed Roller Shaft | 1 |
| 28 | H310 3368 | Paper End Sensor Bracket | 1 |
| 29 | H519 4733 | Paper End Sensor | 1 |
| 30 | H006 2383 | Snap Ring | 4 |
| 31 | H310 3341 | Sub Paper Feed Roller | 2 |
| 32 | AF03 1033 | Paper Feed Roller | 2 |
| 33 | AA06 0665 | Pressure Spring - Feed Roller | 2 |
| 34 | H310 3336 | Paper Feed Roller Arm - Rear | 1 |
| 35 | H519 4713 | Collar | 1 |

| Index No. | Part No. | Description | Q'ty Per Assembly |
|-----------|------------|-------------------------------|-------------------|
| 36 | H519 4715 | Timing Belt | 1 |
| 37 | H519 4714 | Timing Pulley - 22Z | 1 |
| 38 | H310 3338 | Paper Feed Roller Arm - Front | 1 |
| 39 | AA14 0627 | Drive Shaft - Feed Roller | 1 |
| 40 | H519 4721 | Upper Guide Plate | 1 |
| 41 | H310 5272 | Registration Relay Sensor | 1 |
| 42 | H310 5208 | RSB-paper Feed Harness 2 | 1 |
| 43 | H310 5271 | Paper Feed Relay Harnes | 1 |
| 44 | H310 5215 | TRS Sensor Harness | 1 |
| 101 | 0805 3480 | Bushing - 6mm | |
| 102 | 0720 0060E | Retaining Ring - M6 | |
| 103 | 0805 3386 | Bushing - 8mm | |
| 104 | 0451 3006B | Tapping Screw - M3x6 | |
| 105 | 0807 5013 | Flat Washer - M8.4 | |

12.VERTICAL TRANSPORT (H310/H311)

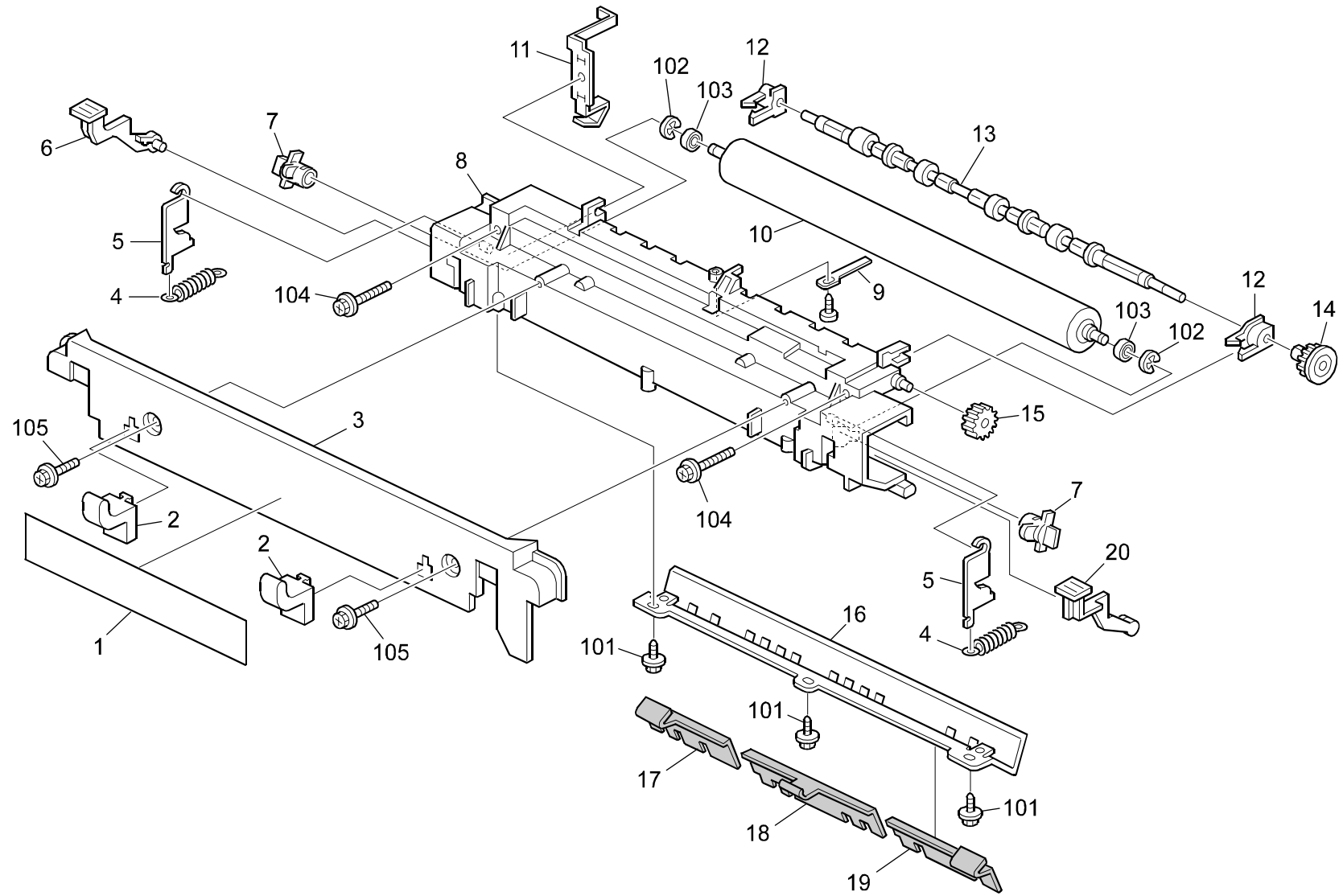


12.VERTICAL TRANSPORT (H310/H311)

| Index No. | Part No. | Description | Q'ty Per Assembly |
|-----------|-----------|--------------------------------|-------------------|
| 1 | H310 3309 | Transport Cover | 1 |
| 2 | G020 5626 | Push Switch | 1 |
| 3 | H310 3313 | Rear Cover Bracket | 1 |
| 4 | H519 3540 | Spring Plate | 2 |
| 5 | AG07 0014 | Magnet Catch | 2 |
| 6 | H310 3356 | Spring Plate | 2 |
| 7 | H519 3507 | Pressure Roller Shaft | 1 |
| 8 | H310 3311 | Front Cover Bracket | 1 |
| 9 | H521 3340 | Pressure Roller - Registration | 1 |
| 10 | H310 3308 | Guide Plate | 1 |
| 11 | H519 3050 | Paper Guide | 1 |
| 12 | H306 3353 | Guide Film 2 | 1 |
| 13 | H306 3356 | Guide Film 1 | 1 |

| Index No. | Part No. | Description | Q'ty Per Assembly |
|-----------|------------|----------------------|-------------------|
| 101 | 0451 3006B | Tapping Screw - M3x6 | |
| 102 | 0450 3008B | Tapping Screw - M3x8 | |

13.FUSING UNIT 1 (H310/H311)

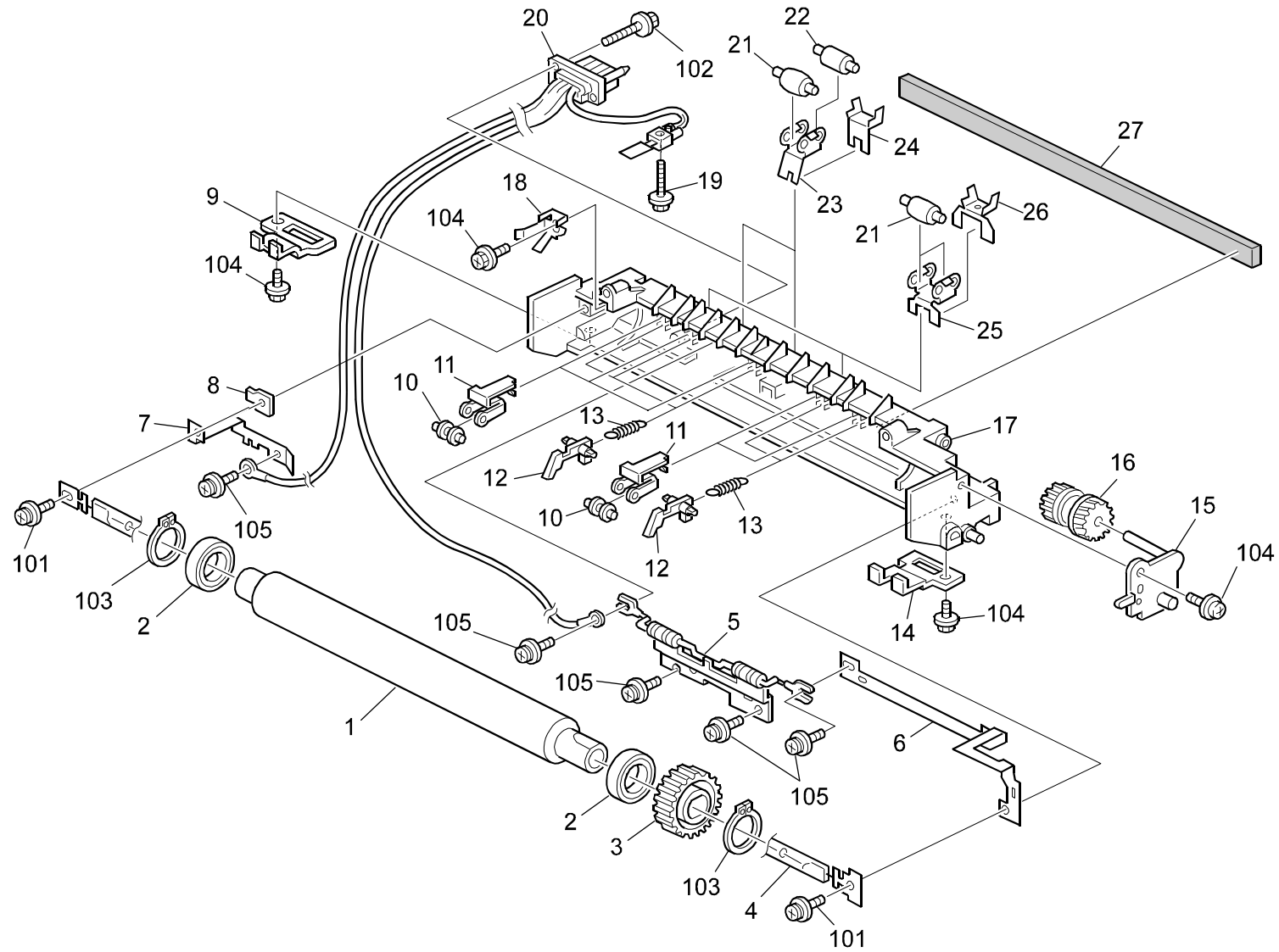


13.FUSING UNIT 1 (H310/H311)

| Index No. | Part No. | Description | Q'ty Per Assembly |
|-----------|------------------|------------------------------|-------------------|
| * | H310 2157 | Fusing Unit | 1 |
| 1 | H310 2143 | Warning Decal | 1 |
| 2 | H306 2111 | Fusing Grip | 2 |
| 3 | H310 2169 | Fusing Cover | 1 |
| 4 | H310 2192 | Spring | 2 |
| 5 | H306 2097 | Pressure Roller Lever | 2 |
| 6 | H310 2174 | Pressure Release Rear Lever | 1 |
| 7 | G039 4176 | HUB | 2 |
| 8 | H310 2181 | Pressure Frame | 1 |
| 9 | H310 2148 | Fusing Exit Fuide | 1 |
| 10 | H310 2188 | Pressure Roller | 1 |
| 11 | H306 2117 | Grounding Plate | 1 |
| 12 | G800 4851 | Bushing | 2 |
| 13 | H310 2193 | Exit Roller | 1 |
| 14 | G029 4185 | Exit Roller Gear | 1 |
| 15 | G029 4132 | Idler Gear - Exit | 1 |
| 16 | H310 2164 | Fusing Entrance Guide Plate | 1 |
| 17 | H310 2168 | Sheet Fusing Guide Plate | 1 |
| 18 | H306 2176 | Fusing Entrance Sheet | 1 |
| 19 | H310 2167 | Sheet Fusing Guide Plate | 1 |
| 20 | H310 2173 | Pressure Release Front Lever | 1 |

| Index No. | Part No. | Description | Q'ty Per Assembly |
|------------|------------------|-----------------------|-------------------|
| 101 | 0450 3008B | Tapping Screw - M3x8 | |
| 102 | 0720 0040E | Retaining Ring - M4 | |
| 103 | 0805 3507 | Bushing - 6mm | |
| 104 | 0450 3014B | Tapping Screw - M3x14 | |
| 105 | 0450 3010B | Tapping Screw - M3x10 | |

14.FUSING UNIT 2 (H310/H311)

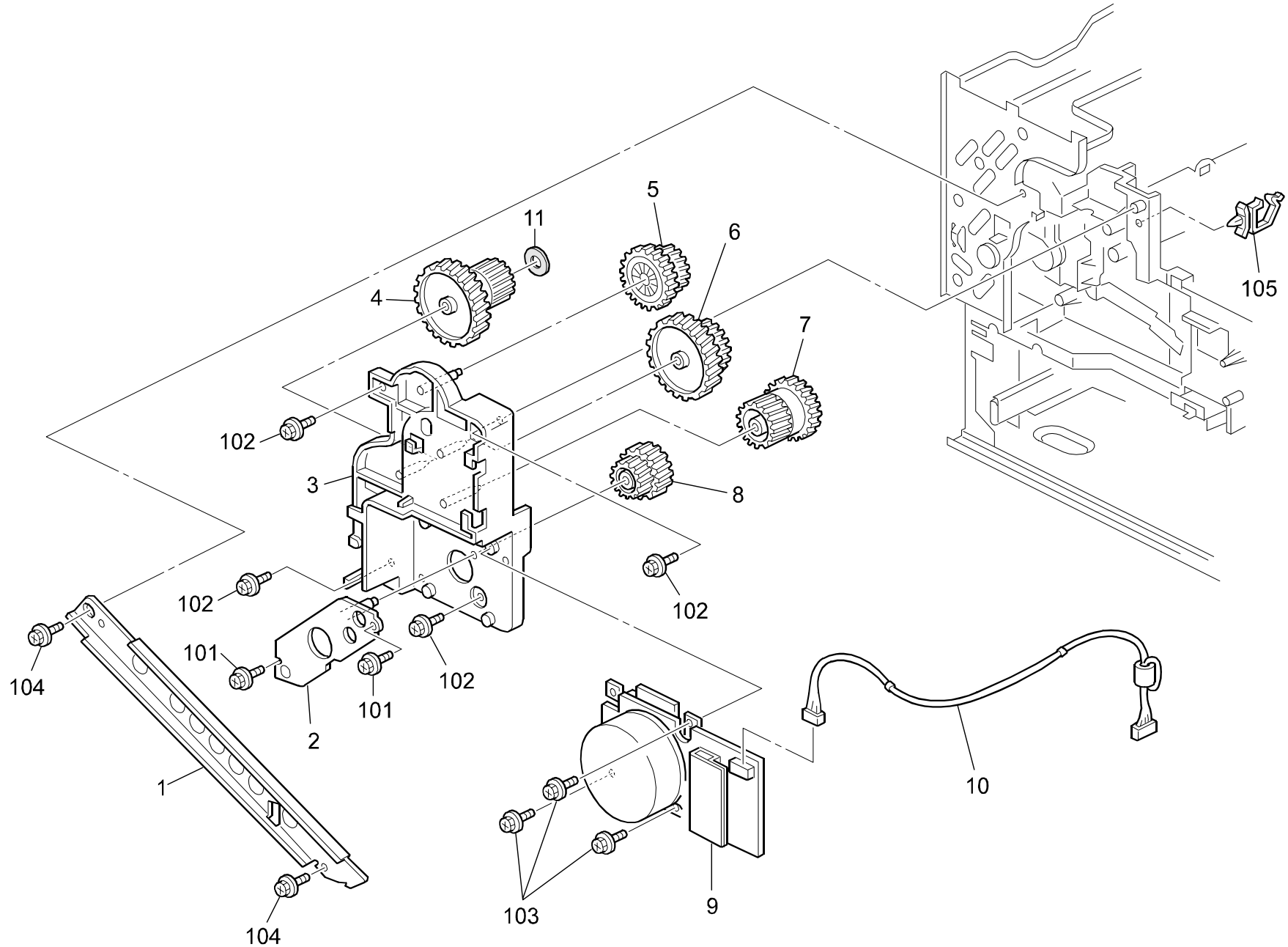


14.FUSING UNIT 2 (H310/H311)

| Index No. | Part No. | Description | Q'ty Per Assembly |
|-----------|------------------|------------------------------|-------------------|
| * | H310 2157 | Fusing Unit | 1 |
| 1 | H310 2160 | Hot Roller | 1 |
| 2 | AE03 0041 | Ball Bearing -20x32x7 | 2 |
| 3 | G039 4171 | Hot Roller Gear | 1 |
| 4 | H306 5066 | Heater-115V | 1 |
| 5 | H310 2187 | Thermofuse - 169βc | 1 |
| 6 | H310 2170 | Electrode Plate | 1 |
| 7 | G029 4127 | Grounding Plate 2 | 1 |
| 8 | G029 4139 | Heater Holder | 1 |
| 9 | G029 4148 | Left Support Plate | 1 |
| 10 | H306 2138 | Stripper Pawl Roller | 4 |
| 11 | H306 2139 | Stripper Pawl Stopper | 4 |
| 12 | H306 2137 | Paper Stripper Pawl | 2 |
| 13 | G029 4143 | Pickoff Pawl Spring | 2 |
| 14 | G029 4149 | Right Support Plate | 1 |
| 15 | G029 4145 | Bracket - Idler Ass'y | 1 |
| 16 | G029 4131 | Idler Gear - Fusing | 1 |
| 17 | H310 2180 | Fusing Frame | 1 |
| 18 | H310 2182 | Grounding Plate | 1 |
| 19 | G029 4158 | Screw - M3X13 | 1 |
| 20 | H310 2151 | Fusing Unit Harness | 1 |
| 21 | G800 4854 | Exit Roller | 6 |
| 22 | H306 2167 | Exit Roller | 2 |
| 23 | A250 4183 | Sprong Plate - Inner | 2 |
| 24 | G029 4198 | Spring Plate - Sub 1 | 2 |
| 25 | A250 4184 | Spring Plate - Outer | 2 |
| 26 | G029 4199 | Spring Plate - Sub 2 | 2 |
| 27 | H306 3174 | Fusing Cover Shield | 1 |

| Index No. | Part No. | Description | Q'ty Per Assembly |
|-----------|------------|------------------------|-------------------|
| 101 | 0950 3008B | Sem,s Screw - M3x8 | |
| 102 | 0450 3012B | Tapping Screw - 3x12 | |
| 103 | 0725 0200E | Retaining Ring C - M20 | |
| 104 | 0450 3008B | Tapping Screw - M3x8 | |
| 105 | 0954 3008B | Philips Screw - M3x8 | |

15.DRIVE SECTION 1 (H310/H311)

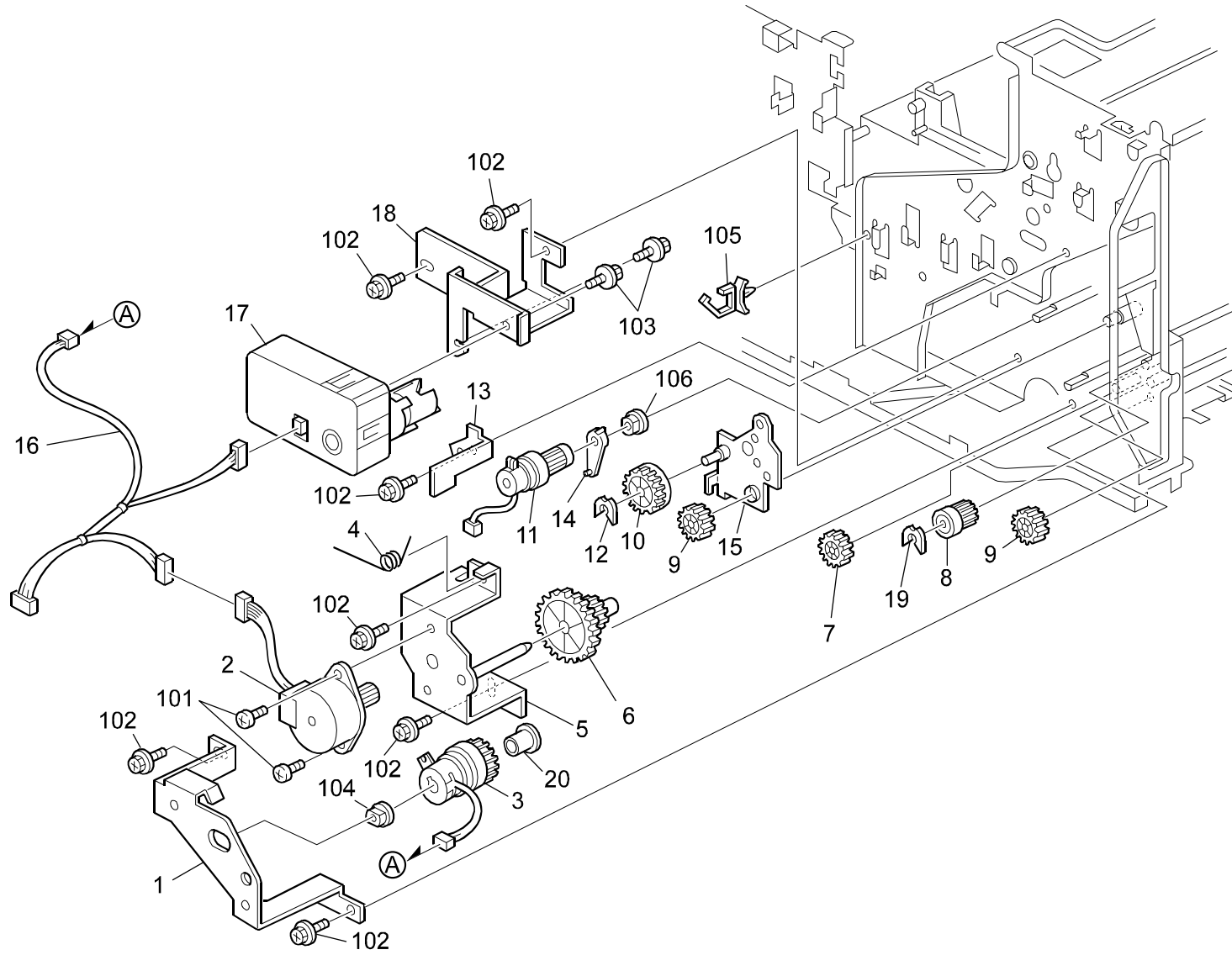


15.DRIVE SECTION 1 (H310/H311)

| Index No. | Part No. | Description | Q'ty Per Assembly |
|-----------|-----------|------------------------------|-------------------|
| 1 | H306 3218 | Front Supporting Plate | 1 |
| 2 | H306 3235 | Shaft Drive Supporting Plate | 1 |
| 3 | H306 3122 | Main Drive Housing | 1 |
| 4 | G029 1119 | Gear - C3 | 1 |
| 5 | G029 1109 | Gear - C5 | 1 |
| 6 | G029 1108 | Gear - C4 | 1 |
| 7 | G029 1117 | Gear - C2 | 1 |
| 8 | G029 1105 | Gear - C1 | 1 |
| 9 | H310 5070 | Brushless Motor - DC24V 20W | 1 |
| 10 | H310 5235 | Main Motor Harness | 1 |
| 11 | H310 3640 | Spacer | 1 |

| Index No. | Part No. | Description | Q'ty Per Assembly |
|-----------|------------|------------------------------|-------------------|
| 101 | 0450 3008B | Tapping Screw - M3x8 | |
| 102 | 0450 3010B | Tapping Screw - M3x10 | |
| 103 | 0450 4010B | Tapping Screw - 4x10 | |
| 104 | 0451 4008B | Philips Tapping Screw - M4x8 | |
| 105 | 1105 0487 | Harness Clamp | |

16.DRIVE SECTION 2 (H310/H311)

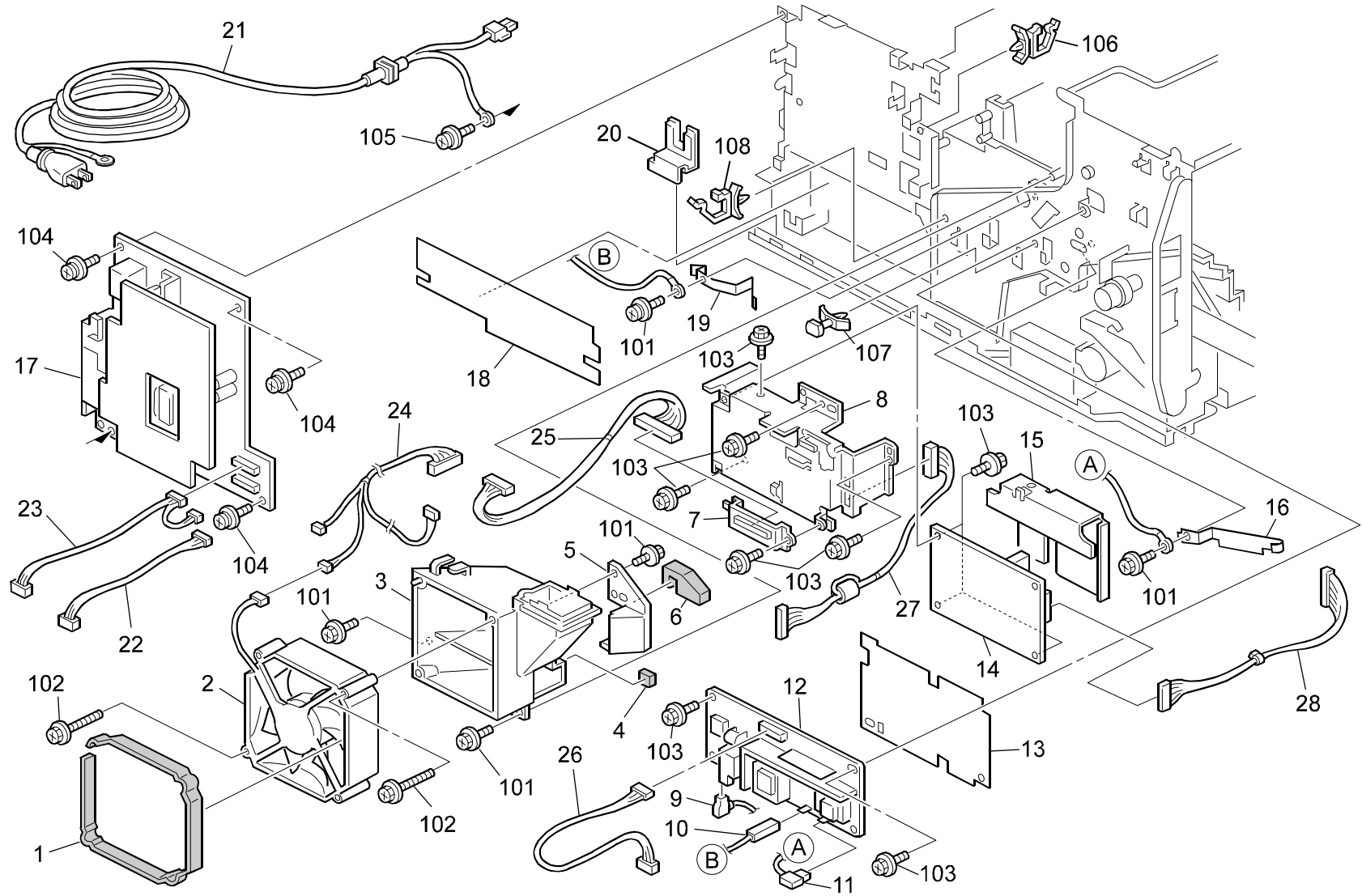


16.DRIVE SECTION 2 (H310/H311)

| Index No. | Part No. | Description | Q'ty Per Assembly |
|-----------|-----------|--------------------------|-------------------|
| 1 | H310 3329 | Magnetic Clutch Stay | 1 |
| 2 | H310 5041 | Stepper Motor | 1 |
| 3 | H310 5043 | Magnetic Clutch | 1 |
| 4 | H310 3328 | Spring | 1 |
| 5 | H310 3324 | Stepper Motor Bracket | 1 |
| 6 | H310 3326 | Gear - 79Z/15Z | 1 |
| 7 | H310 3327 | Gear - 19Z | 1 |
| 8 | H519 4746 | Gear - 16Z | 1 |
| 9 | H306 3421 | Idler Gear 2 | 2 |
| 10 | H310 3320 | Gear - Z31 | 1 |
| 11 | H519 5216 | Magnetic Clutch | 1 |
| 12 | H515 3543 | E-ring - JRE4 | 1 |
| 13 | H310 3337 | Magnetic Clutch Stopper | 1 |
| 14 | H310 3331 | Spacer | 1 |
| 15 | H310 3321 | Registration Bracket | 1 |
| 16 | H310 5233 | Paper Feed Motor Harness | 1 |
| 17 | H519 4755 | DC Motor - DC24V 0.5W | 1 |
| 18 | H310 3369 | Motor Bracket | 1 |
| 19 | H515 3544 | E-ring - JR-E6 | 1 |
| 20 | H310 3335 | Magnetic Clutch Spacer | 1 |

| Index No. | Part No. | Description | Q'ty Per Assembly |
|-----------|------------|--------------------------|-------------------|
| 101 | 0453 3006B | Tapping Screw - M3x6 | |
| 102 | 0451 3006B | Tapping Screw - M3x6 | |
| 103 | 0450 4010B | Tapping Screw - 4x10 | |
| 104 | 0805 3386 | Bushing - 8mm | |
| 105 | 1105 0489 | Harness Clamp - LWS 1316 | |
| 106 | 0805 3480 | Bushing - 6mm | |

17.ELECTRICAL SECTION 1 (H310/H311)

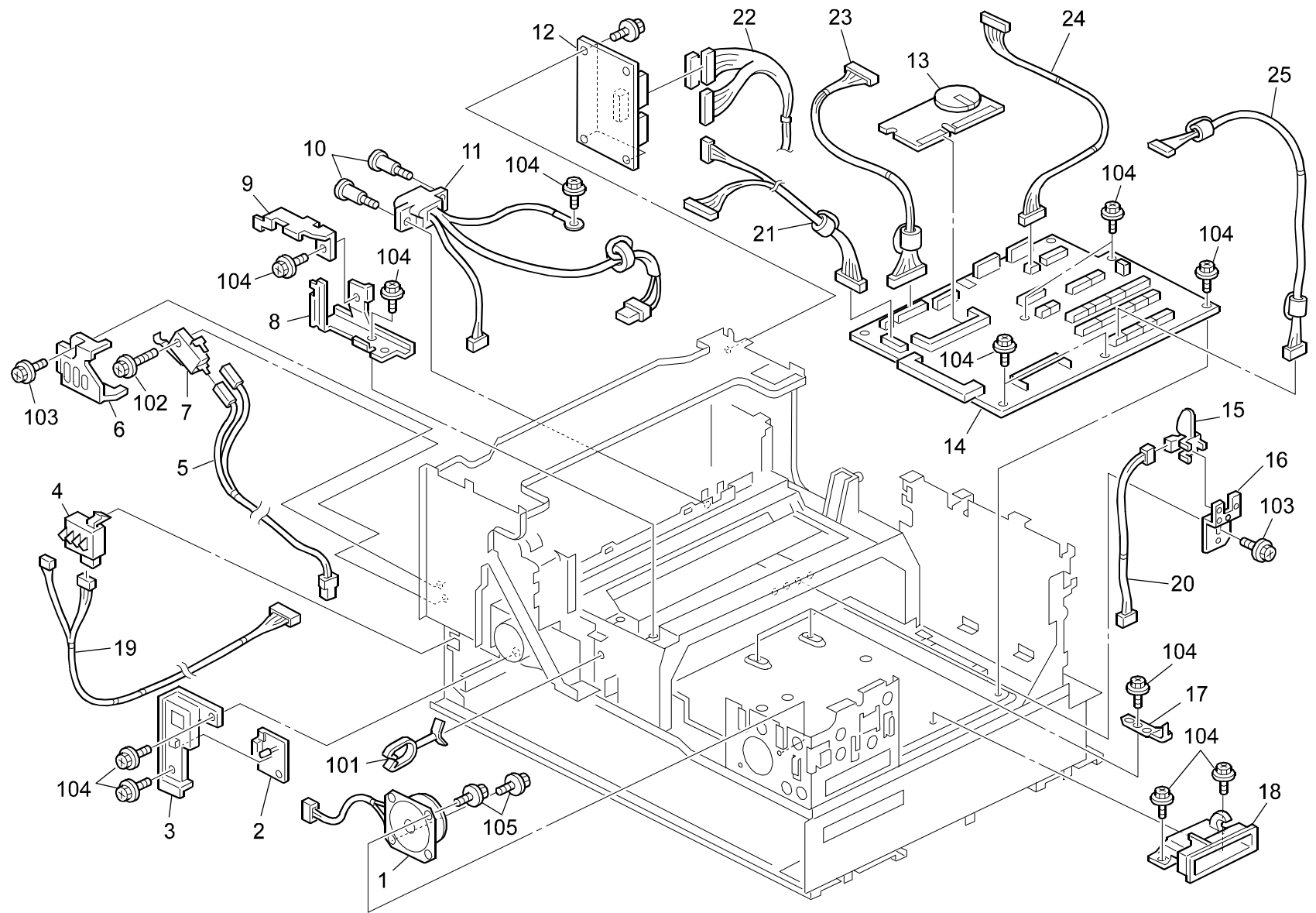


17.ELECTRICAL SECTION 1 (H310/H311)

| Index No. | Part No. | Description | Q'ty Per Assembly |
|-----------|-----------|---------------------------------|-------------------|
| 1 | H310 3159 | Scanner Lower Shield | 1 |
| 2 | H310 5074 | Fan Motor | 1 |
| 3 | H310 3116 | Fan Duct | 1 |
| 4 | H310 3131 | Fan Duct Shield | 1 |
| 5 | H306 3169 | Fan Duct S | 1 |
| 6 | H310 3130 | Fan Duct Shield | 1 |
| 7 | H310 3111 | pFU Connector Bracket | 1 |
| 8 | H310 3102 | NCU Bracket | 1 |
| 9 | H310 7247 | High Voltage Line Harness | 1 |
| 10 | H306 5072 | High Voltage Cord - C | 1 |
| 11 | H306 5071 | High Voltage Cord - B | 1 |
| 12 | A250 5730 | Power Pack - Bct | 1 |
| 13 | H306 3163 | Insulating Sheet - High Voltage | 1 |
| 14 | 5488 6223 | NCU Board | 1 |
| 15 | H310 3103 | Shadeing Plate | 1 |
| 16 | G029 1083 | Grounding Plate | 1 |
| 17 | H310 5000 | Power Supply Unit | 1 |
| 18 | H306 3164 | Insulating Sheet - PSU | 1 |
| 19 | G029 1089 | Grounding Plate - Charge | 1 |
| 20 | H310 4162 | Power Cord Cover | 1 |
| 21 | H310 5296 | Power Cord | 1 |
| 22 | H310 5201 | PSU Harness 1 | 1 |
| 23 | H310 5202 | PSU Harness 2 | 1 |
| 24 | H310 5238 | Fan Motor Harness | 1 |
| 25 | H310 5251 | PFU Harness | 1 |
| 26 | H310 5234 | PP Harness | 1 |
| 27 | H310 5254 | Manual Feed Harness | 1 |
| 28 | H310 5273 | NCU Harness | 1 |

| Index No. | Part No. | Description | Q'ty Per Assembly |
|-----------|------------|-------------------------------|-------------------|
| 101 | 0450 3008B | Tapping Screw - M3x8 | |
| 102 | 0450 4035B | Philips Tapping Screw - M4x35 | |
| 103 | 0451 3006B | Tapping Screw - M3x6 | |
| 104 | 0954 3006B | Screw - M3X6 | |
| 105 | 0954 4006B | Screw - M4X6 | |
| 106 | 1105 0488 | Harness Clamp | |
| 107 | 1105 0409 | Card Spacer- 6.4mm | |
| 108 | 1105 0489 | Harness Clamp - LWS 1316 | |

18.ELECTRICAL SECTION 2 (H310/H311)

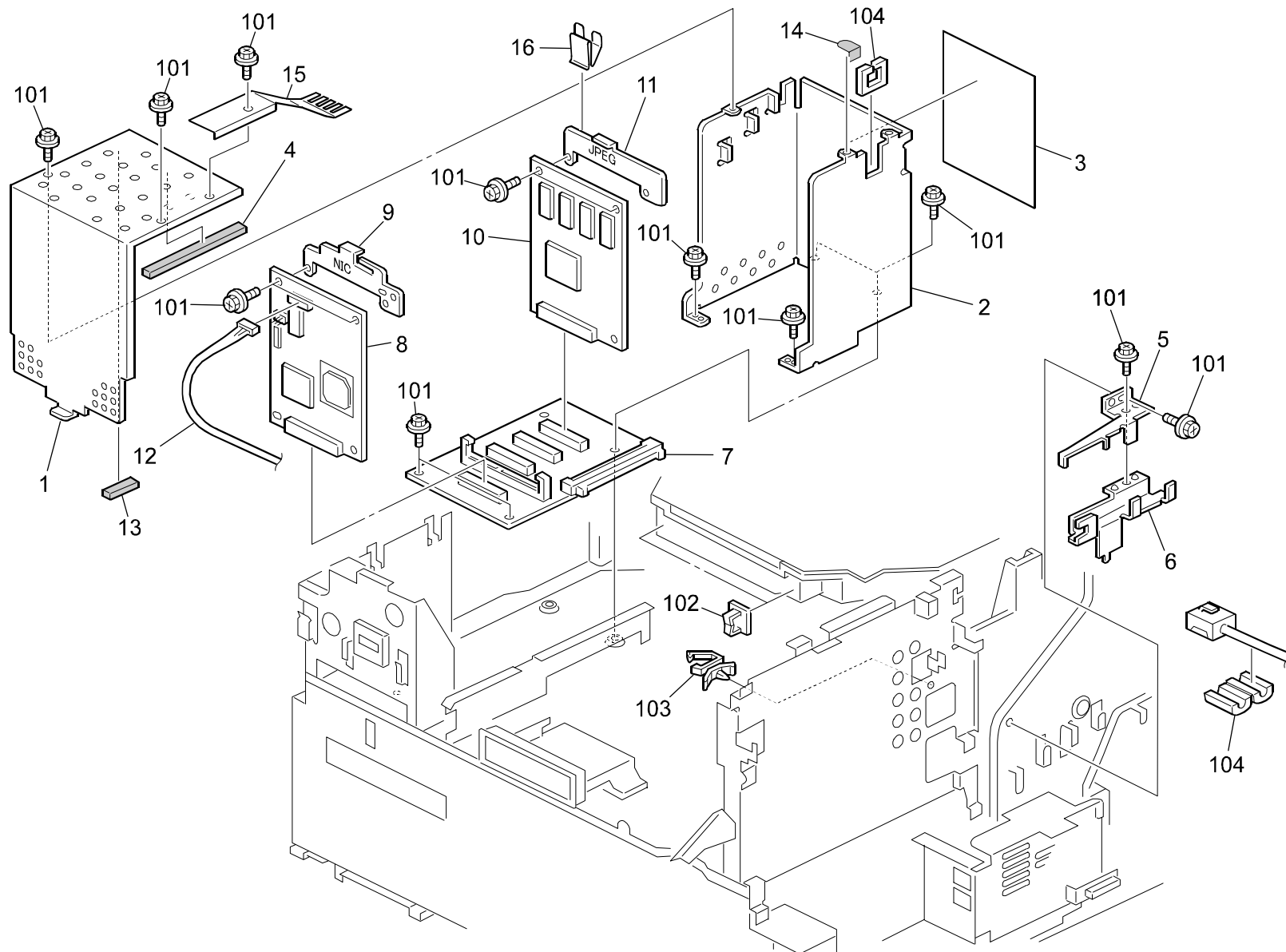


18.ELECTRICAL SECTION 2 (H310/H311)

| Index No. | Part No. | Description | Q'ty Per Assembly |
|-----------|-----------|--------------------------|-------------------|
| 1 | H310 5073 | Speaker | 1 |
| 2 | H519 6035 | RIB Board | 1 |
| 3 | H310 3371 | Paper Level Front Cover | 1 |
| 4 | G020 2620 | Push Switch - Paper Size | 1 |
| 5 | H310 5231 | Interlock Switch Harness | 1 |
| 6 | H310 3125 | Interlock Switch Cover | 1 |
| 7 | H310 5071 | Micro Switch V-5F936DH | 1 |
| 8 | H310 3122 | Operation Panel Bracket | 1 |
| 9 | H306 4075 | Operation Panel Bracket | 1 |
| 10 | G029 4200 | Drawer Screw | 2 |
| 11 | H310 5216 | Fusing Unit Harness | 1 |
| 12 | H310 6090 | RSB Board | 1 |
| 13 | H310 6100 | MBU Board | 1 |
| 14 | H310 6017 | FCU Board | 1 |
| 15 | G020 2772 | By-pass Paper End Sensor | 1 |
| 16 | H306 3257 | AIO Sensor Bracket | 1 |
| 17 | H310 3112 | Plate | 1 |
| 18 | H310 3108 | IC Card Guide | 1 |
| 19 | H310 5207 | RSB-paper Feed Harness 1 | 1 |
| 20 | H310 5214 | AIO Harness | 1 |
| 21 | H310 5217 | LDDR Harness | 1 |
| 22 | H310 5210 | RSB Harness | 1 |
| 23 | H310 5221 | CIS Harness | 1 |
| 24 | H310 5232 | ADF Motor Harness | 1 |
| 25 | H310 5220 | OPU Harness | 1 |

| Index No. | Part No. | Description | Q'ty Per Assembly |
|-----------|------------|-----------------------|-------------------|
| 101 | 1105 0348 | Clamp | |
| 102 | 0450 3016B | Tapping Screw - M3x16 | |
| 103 | 0450 3008B | Tapping Screw - M3x8 | |
| 104 | 0451 3006B | Tapping Screw - M3x6 | |
| 105 | 0453 3006B | Tapping Screw - M3x6 | |

19.ELECTRICAL SECTION 3 (H310/H311)

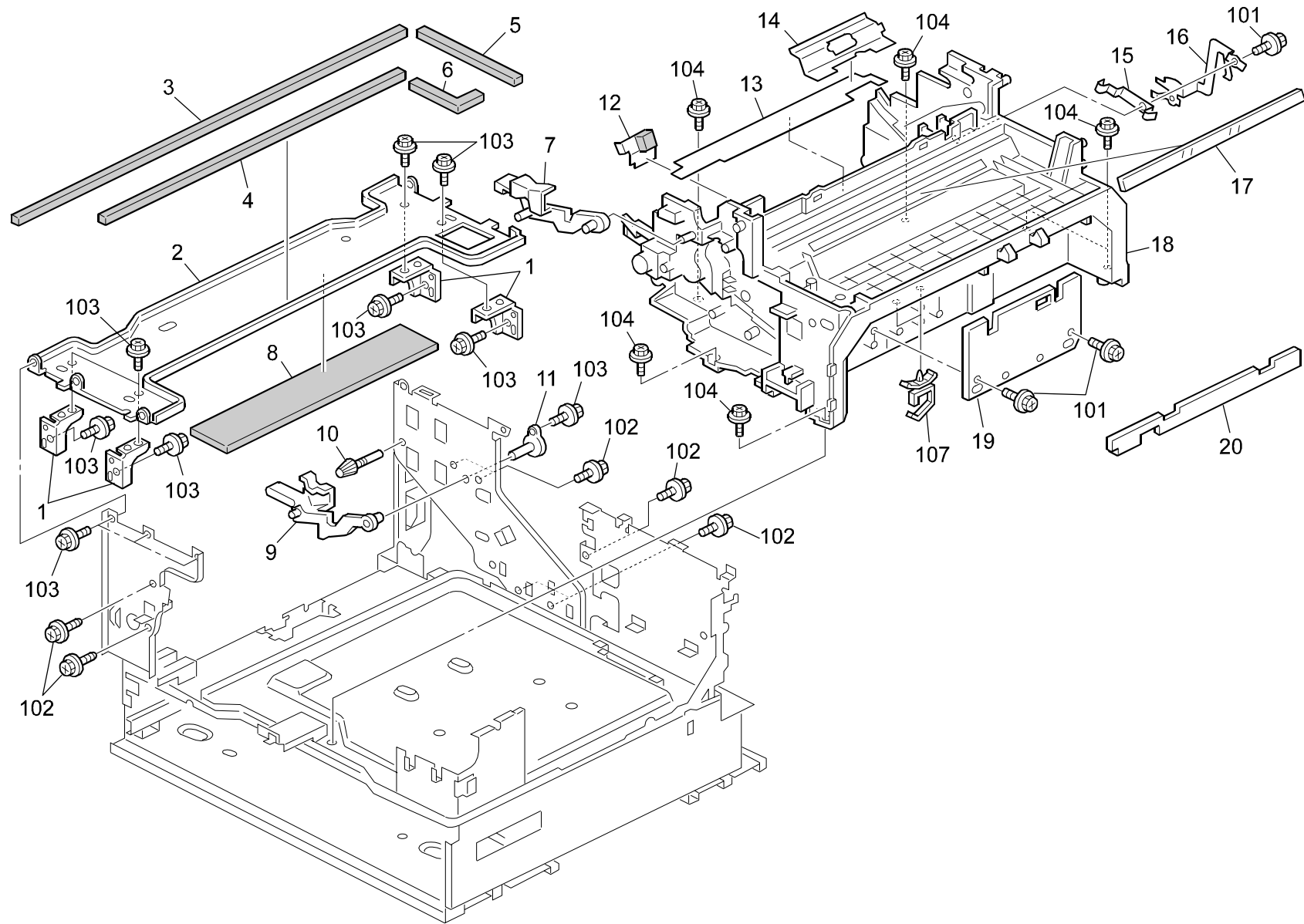


19.ELECTRICAL SECTION 3 (H310/H311)

| Index No. | Part No. | Description | Q'ty Per Assembly |
|-----------|-----------|--------------------------|-------------------|
| 1 | H310 3907 | OPIF Cover | 1 |
| 2 | H310 3906 | OPIF Bracket | 1 |
| 3 | H310 3925 | Insulating Sheet | 1 |
| 4 | H310 3934 | OPIF Strip1 | 1 |
| 5 | H310 3909 | Connector Bracket Plate | 1 |
| 6 | H310 3908 | Connector Bracket | 1 |
| 7 | H310 6010 | OPIF Board | 1 |
| 8 | H210 6185 | NICF Board | 1 |
| 9 | H310 3912 | NIC Board Bracket | 1 |
| 10 | H310 6130 | Jpu Board | 1 |
| 11 | H310 3911 | Jpeg Board Bracket | 1 |
| 12 | H306 5144 | Harness - Connect - NICF | 1 |
| 13 | H310 3935 | OPIF Strip2 | 1 |
| 14 | H310 3936 | Insulating Sheet | 1 |
| 15 | H310 3931 | Ground Plate | 1 |
| 16 | H310 3933 | Earth Clip | 1 |

| Index No. | Part No. | Description | Q'ty Per Assembly |
|-----------|------------|----------------------|-------------------|
| 101 | 0451 3006B | Tapping Screw - M3x6 | |
| 102 | 1105 0350 | Wire Saddle - 1M | |
| 103 | 1105 0487 | Harness Clamp | |
| 104 | 1607 0576 | Sleeve Core - Sfc-8 | |

20.FRAME SECTION 1 (H310/H311)

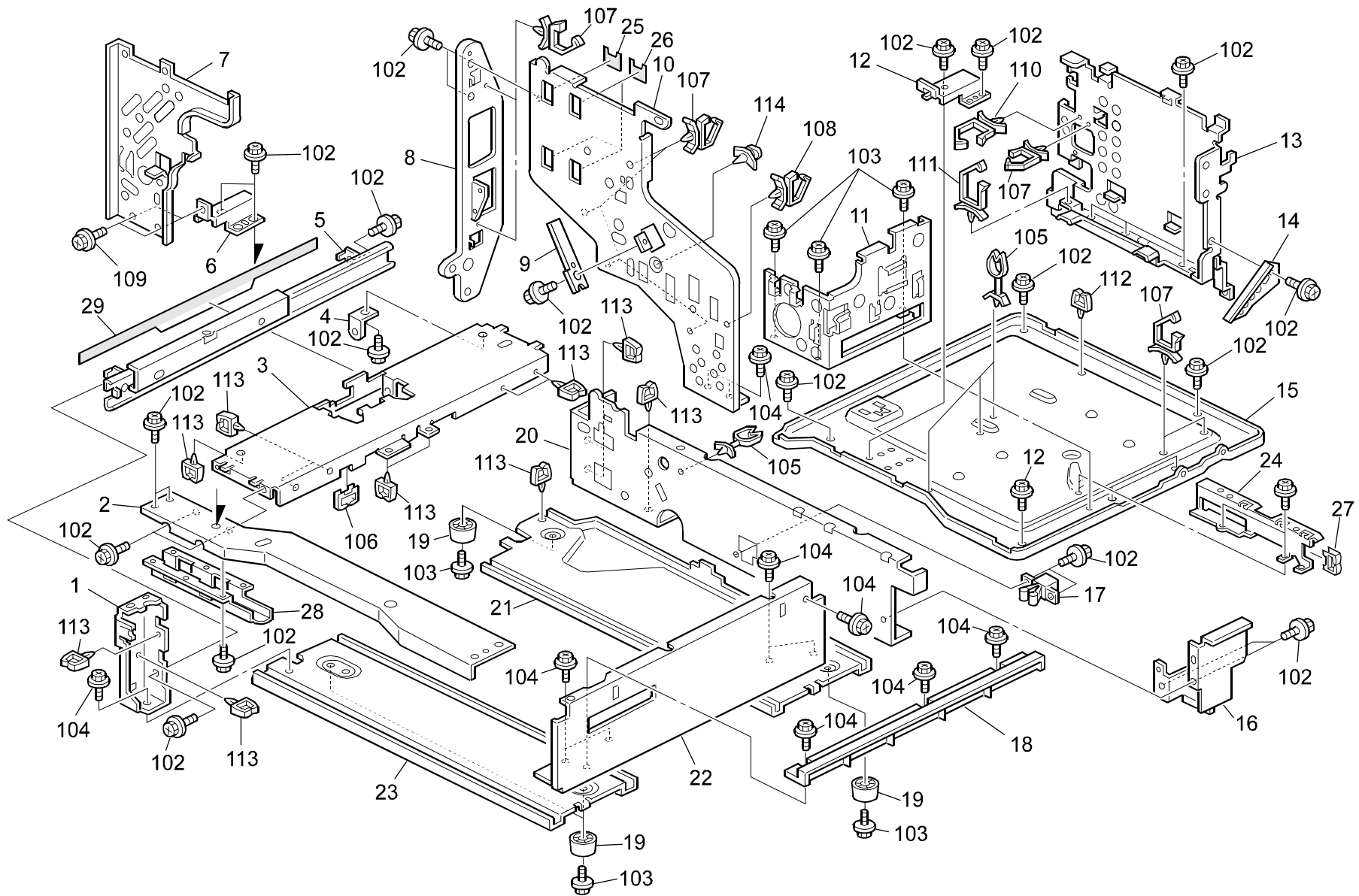


20.FRAME SECTION 1 (H310/H311)

| Index No. | Part No. | Description | Q'ty Per Assembly |
|-----------|-----------|---------------------------|-------------------|
| 1 | H310 3121 | Angle Stay | 4 |
| 2 | H310 3120 | Supporting Plate Stay | 1 |
| 3 | H310 3158 | Scanner Lower Shield | 1 |
| 4 | H310 3159 | Scanner Lower Shield | 1 |
| 5 | H310 3160 | Scanner Lower Shield | 1 |
| 6 | H310 3161 | Scanner Lower Shield | 1 |
| 7 | H306 3144 | Front Lock Guide | 1 |
| 8 | H310 3165 | Fusing Upper Sheet | 1 |
| 9 | H306 3145 | Rear Lock Guide | 1 |
| 10 | H306 3197 | Adjusting Screw | 1 |
| 11 | H306 3152 | Lock Guide Pin | 1 |
| 12 | H306 3170 | Fusing Front Shield | 1 |
| 13 | H306 3142 | Duct Sheet | 1 |
| 14 | H306 3173 | Fusing Rear Shield | 1 |
| 15 | G029 1081 | Grounding Plate - Drum | 1 |
| 16 | H306 3123 | Terminal Plate - OPC Drum | 1 |
| 17 | H310 2701 | Shield Glass | 1 |
| 18 | H310 3115 | Frame | 1 |
| 19 | H306 3275 | AIO Cap | 1 |
| 20 | H306 3154 | Duct Shield 1 | 1 |

| Index No. | Part No. | Description | Q'ty Per Assembly |
|-----------|------------|----------------------------------|-------------------|
| 101 | 0450 3008B | Tapping Screw - M3x8 | |
| 102 | 0450 4008B | Tapping Screw - 4x8 | |
| 103 | 0451 3006B | Tapping Screw - M3x6 | |
| 104 | 0451 3008B | Tapping Screw - M3x8 | |
| 105 | 0451 4008B | Philips Tapping Screw - M4x8 | |
| 106 | 0802 5276 | Tapping Screw With Washer - M3x6 | |
| 107 | 1105 0487 | Harness Clamp | |

21.FRAME SECTION 2 (H310/H311)



21.FRAME SECTION 2 (H310/H311)

| Index No. | Part No. | Description | Q'ty Per Assembly |
|-----------|-----------|-----------------------------|-------------------|
| 1 | H310 3303 | Front Left Channel | 1 |
| 2 | H310 3304 | Upper Front Stay | 1 |
| 3 | H310 3372 | Paper Feedstay | 1 |
| 4 | G697 2558 | Bracket - Feed Clutch Shaft | 1 |
| 5 | H310 3367 | Slide Rail | 1 |
| 6 | H310 3113 | Supporting Plate | 1 |
| 7 | H310 3123 | Front Supporting Plate | 1 |
| 8 | H310 3118 | Rear Supporting Plate | 1 |
| 9 | H306 3168 | Spring Plate | 1 |
| 10 | H310 3124 | Rear Supporting Plate | 1 |
| 11 | H310 3106 | Bracket Front Cover | 1 |
| 12 | H310 3114 | Supporting Plate | 1 |
| 13 | H310 3105 | Psu-pp Bracket | 1 |
| 14 | H310 3107 | Right Supporting Plate | 1 |
| 15 | H310 3104 | Paper Feed Frame | 1 |
| 16 | H310 3347 | Power Cord Bracket | 1 |
| 17 | H519 4549 | Paper Tray Holder | 1 |
| 18 | H310 3307 | Paper Tray Rail | 1 |
| 19 | H519 3039 | Rubber Foot | 4 |
| 20 | H310 3310 | Rear Side Plate | 1 |
| 21 | H310 3302 | Lower Rear Stay | 1 |
| 22 | H310 3305 | Right Side Plate | 1 |
| 23 | H310 3301 | Lower Front Stay | 1 |
| 24 | B516 1100 | Front Bracket | 1 |
| 25 | H310 3163 | RSB Shield | 1 |
| 26 | H310 3162 | RSB Shield | 4 |
| 27 | H004 3755 | Square Bushing | 1 |
| 28 | H310 3375 | Bracket | 1 |
| 29 | H310 3420 | Guide Plate Stopper | 1 |

| Index No. | Part No. | Description | Q'ty Per Assembly |
|-----------|------------|----------------------------------|-------------------|
| 101 | 0450 4010B | Tapping Screw - 4x10 | |
| 102 | 0451 3006B | Tapping Screw - M3x6 | |
| 103 | 0451 3010B | Tapping Screw - M3x10 | |
| 104 | 0802 5276 | Tapping Screw With Washer - M3x6 | |
| 105 | 1105 0348 | Clamp | |
| 106 | 1105 0113 | Edge - P108 | |
| 107 | 1105 0487 | Harness Clamp | |
| 108 | 1105 0489 | Harness Clamp - LWS 1316 | |
| 109 | 0451 4008B | Philips Tapping Screw - M4x8 | |
| 110 | 1105 0488 | Harness Clamp | |
| 111 | 1105 0490 | Harness Clamp - IWS-2218 | |
| 112 | 1105 0344 | Clamp | |
| 113 | 1105 0229 | Clamp | |

22.NCU BOARD (H310/H311)

CAPACITOR

| SYMBOL NO. | INDEX NO. |
|------------|-----------|
| --- | --- |
| --- | --- |
| C3 | 116 |
| C4 | 121 |
| C5 | 122 |

CONNECTOR

| SYMBOL NO. | INDEX NO. |
|------------|-----------|
| CN1 | 101 |
| --- | --- |
| CN3 | 102 |
| CN4 | 102 |

DIODE

| SYMBOL NO. | INDEX NO. |
|------------|-----------|
| D1 | 106 |
| D2 | 106 |

DB

| SYMBOL NO. | INDEX NO. |
|------------|-----------|
| DB1 | 107 |

FILTER

| SYMBOL NO. | INDEX NO. |
|------------|-----------|
| --- | --- |
| FIL3 | 117 |

L

| SYMBOL NO. | INDEX NO. |
|------------|-----------|
| L1 | 118 |

PC

| SYMBOL NO. | INDEX NO. |
|------------|-----------|
| PC1 | 109 |
| PC2 | 108 |
| PC3 | 110 |

Q

| SYMBOL NO. | INDEX NO. |
|------------|-----------|
| Q1 | 104 |
| Q2 | 105 |

RESISTOR

| SYMBOL NO. | INDEX NO. |
|------------|-----------|
| R1 | 120 |
| R2 | 115 |
| R3 | 127 |
| R4 | 123 |
| R5 | 128 |
| R6 | 126 |
| R7 | 125 |
| R8 | 124 |

RY

| SYMBOL NO. | INDEX NO. |
|------------|-----------|
| RY1 | 103 |

T

| SYMBOL NO. | INDEX NO. |
|------------|-----------|
| T2 | 119 |

V

| SYMBOL NO. | INDEX NO. |
|------------|-----------|
| V1 | 111 |
| V2 | 113 |
| V3 | 112 |
| V4 | 113 |
| V5 | 114 |

22.NCU BOARD (H310/H311)

| Index No. | Part No. | Description | Q'ty Per Assembly |
|-----------|-----------|-------------|-------------------|
| * | 5488 6223 | NCU Board | 1 |

| Index No. | Part No. | Description | Q'ty Per Assembly |
|-----------|-----------|---------------------------------|-------------------|
| 101 | 1102 5007 | CT Header - 14P | |
| 102 | 1102 7604 | Connector - 52830-6245 | |
| 103 | 1208 1467 | Relay - NA-5W-K | |
| 104 | 1400 0826 | Transistor - 2SA1776 | |
| 105 | 1400 0885 | Transistor - 2SC4505Q | |
| 106 | 1401 0821 | Diode - 1SS133 | |
| 107 | 1402 1607 | Diode - S1NB60 | |
| 108 | 1403 0598 | Photo Coupler - PS2501-2 | |
| 109 | 1403 0620 | Photo Coupler | |
| 110 | 1403 0812 | Photocoupler - PS2532-1-V | |
| 111 | 1404 0129 | Varistor - VR - 63B | |
| 112 | 1404 0276 | Varistor - TNR9G331K | |
| 113 | 1404 0283 | Varistor - TNR9G431K | |
| 114 | 1404 0989 | Varistor - TNR7V121K | |
| 115 | 1601 5395 | Resistor - 18Ω ±5% 1/2W | |
| 116 | 1606 2161 | Capacitor - 0.47UF±10%250V | |
| 117 | 1607 0069 | Fuse - BL02RN2-R62-PB | |
| 118 | 1607 0396 | Choke - SBT-0180W | |
| 119 | 1607 1396 | Transformer - FLT319 | |
| 120 | 1611 8473 | Resistor - 47KΩ ±5% 1/4W | |
| 121 | 1640 5220 | Capacitor - 22μF±20% 50V | |
| 122 | 1640 5229 | Capacitor - 2.2μF±20% 50V | |
| 123 | 1650 4104 | Resistor - 100KΩ±5%1/10W | |
| 124 | 1650 4151 | Resistor - 150Ω ±5%1/10W | |
| 125 | 1650 4180 | Chip Resistor - 18Ω ±5% 1/10W | |
| 126 | 1650 4392 | Chip Resistor - 3.9kΩ ±5% 1/10W | |
| 127 | 1654 2002 | Resistor - 20KΩ±1%1/10W | |
| 128 | 1654 4702 | Chip Resistor - 47kΩ ±1% 1/10W | |

23.FCU BOARD (H310/H311)

BAT

| SYMBOL NO. | INDEX NO. |
|------------|-----------|
| BAT1 | 132 |

CAPACITOR

| SYMBOL NO. | INDEX NO. |
|------------|-----------|
| C1 | 320 |
| C2 | 218 |
| C3 | 320 |
| C4 | 320 |
| C5 | 216 |
| C6 | 321 |
| C7 | 218 |
| C8 | 213 |
| C9 | 321 |
| C10 | 321 |

| SYMBOL NO. | INDEX NO. |
|------------|-----------|
| C11 | 321 |
| C12 | 196 |
| C13 | 217 |
| C14 | 213 |
| C15 | 216 |
| --- | --- |
| C17 | 217 |
| --- | --- |
| --- | --- |
| C20 | 309 |

| SYMBOL NO. | INDEX NO. |
|------------|-----------|
| C21 | 321 |
| C22 | 197 |
| C23 | 309 |
| C24 | 318 |
| --- | --- |
| --- | --- |
| C27 | 321 |
| --- | --- |
| C29 | 197 |
| C30 | 197 |

| SYMBOL NO. | INDEX NO. |
|------------|-----------|
| C31 | 197 |
| C32 | 198 |
| C33 | 198 |
| --- | --- |
| C35 | 319 |
| --- | --- |
| --- | --- |
| C37 | 217 |
| C38 | 321 |
| C39 | 321 |
| C40 | 321 |

| SYMBOL NO. | INDEX NO. |
|------------|-----------|
| C41 | 321 |
| C42 | 305 |
| C43 | 306 |
| C44 | 217 |
| C45 | 304 |
| C46 | 321 |
| --- | --- |
| C48 | 321 |
| C49 | 218 |
| C50 | 215 |

| SYMBOL NO. | INDEX NO. |
|------------|-----------|
| --- | --- |
| C52 | 321 |
| --- | --- |
| C54 | 321 |
| --- | --- |
| C56 | 321 |
| C57 | 197 |
| --- | --- |
| --- | --- |
| C60 | 321 |

CAPACITOR

| SYMBOL NO. | INDEX NO. |
|------------|-----------|
| C61 | 321 |
| C62 | 321 |
| C63 | 321 |
| C64 | 321 |
| C65 | 214 |
| C66 | 214 |
| C67 | 217 |
| C68 | 307 |
| C69 | 307 |
| C70 | 320 |

| SYMBOL NO. | INDEX NO. |
|------------|-----------|
| C71 | 217 |
| --- | --- |
| --- | --- |
| --- | --- |
| --- | --- |
| --- | --- |
| C78 | 303 |
| C79 | 321 |
| C80 | 307 |

| SYMBOL NO. | INDEX NO. |
|------------|-----------|
| C81 | 321 |
| C82 | 316 |
| C83 | 321 |
| C84 | 213 |
| C85 | 321 |
| C86 | 321 |
| C87 | 321 |
| C88 | 213 |
| C89 | 217 |
| C90 | 307 |

| SYMBOL NO. | INDEX NO. |
|------------|-----------|
| C91 | 303 |
| --- | --- |
| C93 | 321 |
| C94 | 312 |
| C95 | 213 |
| C96 | 316 |
| C97 | 321 |
| C98 | 321 |
| C99 | 321 |
| C100 | 306 |

| SYMBOL NO. | INDEX NO. |
|------------|-----------|
| C101 | 321 |
| C102 | 321 |
| C103 | 321 |
| C104 | 321 |
| C105 | 321 |
| --- | --- |
| --- | --- |
| C108 | 200 |
| C109 | 201 |
| C110 | 321 |

| SYMBOL NO. | INDEX NO. |
|------------|-----------|
| C111 | 321 |
| C112 | 316 |
| --- | --- |
| C114 | 305 |
| --- | --- |
| C116 | 321 |
| C117 | 201 |
| C118 | 200 |
| C119 | 321 |
| C120 | 321 |

| SYMBOL NO. | INDEX NO. |
|------------|-----------|
| C121 | 321 |
| --- | --- |
| C123 | 303 |
| C124 | 303 |
| C125 | 321 |
| C126 | 303 |
| C127 | 321 |
| C128 | 321 |
| C129 | 303 |
| C130 | 321 |

23.FCU BOARD (H310/H311)

CAPACITOR

| SYMBOL NO. | INDEX NO. | SYMBOL NO. | INDEX NO. | SYMBOL NO. | INDEX NO. | SYMBOL NO. | INDEX NO. | SYMBOL NO. | INDEX NO. | SYMBOL NO. | INDEX NO. | SYMBOL NO. | INDEX NO. |
|------------|-----------|------------|-----------|------------|-----------|------------|-----------|------------|-----------|------------|-----------|------------|-----------|
| C131 | 303 | C141 | 315 | C151 | 321 | C161 | 303 | C171 | 199 | C181 | 321 | C191 | 320 |
| --- | --- | C142 | 310 | C152 | 321 | C162 | 303 | C172 | 303 | C182 | 304 | C192 | 321 |
| C133 | 321 | --- | --- | --- | --- | C163 | 303 | C173 | 304 | C183 | 321 | C193 | 321 |
| C134 | 321 | --- | --- | C154 | 303 | C164 | 303 | C174 | 304 | C184 | 321 | C194 | 321 |
| C135 | 321 | --- | --- | C155 | 303 | C165 | 303 | C175 | 320 | C185 | 308 | C195 | 321 |
| C136 | 321 | --- | --- | C156 | 303 | C166 | 303 | C176 | 321 | C186 | 321 | C196 | 321 |
| C137 | 201 | C147 | 313 | C157 | 303 | C167 | 321 | C177 | 321 | C187 | 320 | C197 | 321 |
| C138 | 200 | C148 | 321 | C158 | 303 | C168 | 321 | C178 | 321 | C188 | 320 | C198 | 321 |
| C139 | 307 | C149 | 321 | C159 | 303 | C169 | 321 | C179 | 321 | C189 | 320 | C199 | 321 |
| C140 | 310 | C150 | 321 | C160 | 303 | C170 | 321 | C180 | 321 | C190 | 317 | C200 | 321 |

CAPACITOR

| SYMBOL NO. | INDEX NO. | SYMBOL NO. | INDEX NO. | SYMBOL NO. | INDEX NO. | SYMBOL NO. | INDEX NO. | SYMBOL NO. | INDEX NO. | SYMBOL NO. | INDEX NO. | SYMBOL NO. | INDEX NO. |
|------------|-----------|------------|-----------|------------|-----------|------------|-----------|------------|-----------|------------|-----------|------------|-----------|
| C201 | 321 | C211 | 309 | C221 | 199 | C231 | 321 | C241 | 304 | C251 | 316 | C261 | 321 |
| C202 | 321 | C212 | 197 | C222 | 199 | C232 | 199 | C241 | 309 | C252 | 199 | C262 | 199 |
| C203 | 321 | C213 | 321 | C223 | 321 | C233 | 313 | --- | --- | C253 | 320 | C263 | 320 |
| C204 | 321 | C214 | 321 | C224 | 321 | C234 | 313 | --- | --- | C254 | 321 | C264 | 321 |
| C205 | 321 | C215 | 304 | C225 | 321 | C235 | 313 | --- | --- | C255 | 304 | C265 | 314 |
| C206 | 321 | C216 | 321 | C226 | 321 | C236 | 320 | C246 | 317 | C256 | 321 | C266 | 314 |
| C207 | 321 | C217 | 321 | C227 | 321 | C237 | 313 | C247 | 197 | C257 | 199 | C267 | 314 |
| --- | --- | C218 | 321 | C228 | 321 | C238 | 321 | C248 | 321 | C258 | 320 | C268 | 320 |
| C209 | 309 | C219 | 321 | C229 | 321 | C239 | 321 | C249 | 199 | C259 | 321 | --- | --- |
| C210 | 309 | C220 | 321 | C230 | 321 | C240 | 321 | C250 | 316 | C260 | 199 | C400 | 321 |

23.FCU BOARD (H310/H311)

CAPACITOR

| SYMBOL NO. | INDEX NO. |
|------------|-----------|
| C401 | 321 |
| C402 | 199 |
| C403 | 199 |
| C404 | 199 |
| C405 | 321 |
| --- | --- |
| C406 | 320 |
| C407 | 320 |
| C408 | 320 |
| C409 | 308 |
| C410 | 308 |

| SYMBOL NO. | INDEX NO. |
|------------|-----------|
| C411 | 321 |
| C412 | 314 |
| C413 | 314 |
| C414 | 314 |
| C415 | 199 |
| --- | --- |
| C416 | 308 |
| C417 | 314 |
| C418 | 314 |
| C419 | 314 |
| C420 | 308 |

| SYMBOL NO. | INDEX NO. |
|------------|-----------|
| --- | --- |
| C422 | 320 |
| C423 | 311 |

CONNECTOR

| SYMBOL NO. | INDEX NO. |
|------------|-----------|
| CN1 | 124 |
| CN2 | 125 |
| --- | --- |
| --- | --- |
| --- | --- |
| --- | --- |
| --- | --- |
| --- | --- |
| --- | --- |
| --- | --- |

| SYMBOL NO. | INDEX NO. |
|------------|-----------|
| CN11 | 119 |
| CN12 | 116 |
| CN13 | 104 |
| CN14 | 112 |
| CN15 | 114 |
| --- | --- |
| CN16 | 109 |
| CN17 | 105 |
| --- | --- |
| CN19 | 107 |
| CN20 | 102 |

| SYMBOL NO. | INDEX NO. |
|------------|-----------|
| CN21 | 120 |
| CN22 | 127 |
| --- | --- |
| --- | --- |
| --- | --- |
| --- | --- |
| --- | --- |
| --- | --- |
| --- | --- |
| --- | --- |

| SYMBOL NO. | INDEX NO. |
|------------|-----------|
| CN31 | 121 |
| CN32 | 113 |
| CN33 | 115 |
| CN34 | 106 |
| CN35 | 103 |
| --- | --- |
| CN36 | 117 |
| --- | --- |
| CN38 | 118 |
| --- | --- |
| --- | --- |

CONNECTOR

| SYMBOL NO. | INDEX NO. |
|------------|-----------|
| CN51 | 111 |
| CN52 | 101 |
| CN53 | 108 |
| CN54 | 110 |
| --- | --- |
| --- | --- |
| --- | --- |
| --- | --- |
| --- | --- |
| --- | --- |

| SYMBOL NO. | INDEX NO. |
|------------|-----------|
| CN61 | 128 |
| CN62 | 126 |
| CN63 | 123 |

DIODE

| SYMBOL NO. | INDEX NO. |
|------------|-----------|
| D1 | 149 |
| D2 | 149 |
| D3 | 149 |
| D4 | 149 |
| D5 | 149 |
| --- | --- |
| D6 | 151 |
| --- | --- |
| D8 | 149 |
| D9 | 149 |

DA

| SYMBOL NO. | INDEX NO. |
|------------|-----------|
| DA1 | 153 |
| DA2 | 148 |
| DA3 | 148 |
| DA4 | 148 |
| DA5 | 148 |
| --- | --- |
| DA6 | 150 |

FILTER

| SYMBOL NO. | INDEX NO. |
|------------|-----------|
| FIL7 | 205 |
| --- | --- |
| FIL9 | 206 |
| --- | --- |
| FIL11 | 206 |
| FIL12 | 209 |
| FIL13 | 209 |
| FIL14 | 209 |
| FIL15 | 210 |
| --- | --- |
| FIL16 | 209 |

| SYMBOL NO. | INDEX NO. |
|------------|-----------|
| FIL17 | 203 |
| --- | --- |
| --- | --- |
| FIL400 | 202 |
| FIL401 | 202 |
| FIL402 | 204 |
| FIL403 | 204 |
| FIL404 | 204 |
| FIL405 | 203 |
| --- | --- |
| FIL406 | 204 |

| SYMBOL NO. | INDEX NO. |
|------------|-----------|
| FIL407 | 204 |

23.FCU BOARD (H310/H311)

FUSE

| SYMBOL NO. | INDEX NO. |
|------------|-----------|
| FU1 | 131 |
| FU2 | 130 |

IC

| SYMBOL NO. | INDEX NO. |
|------------|-----------|
| IC1 | 164 |
| IC2 | 164 |
| IC3 | 155 |
| IC4 | 158 |
| --- | --- |
| IC6 | 161 |
| IC7 | 173 |
| IC8 | 170 |
| IC9 | 171 |
| IC10 | 166 |

| SYMBOL NO. | INDEX NO. |
|------------|-----------|
| IC11 | 157 |
| IC12 | 167 |
| IC13 | 165 |
| IC14 | 160 |
| IC15 | 2 |
| IC16 | 165 |
| --- | --- |
| IC18 | 159 |
| IC19 | 3 |
| IC20 | 1 |

| SYMBOL NO. | INDEX NO. |
|------------|-----------|
| IC21 | 162 |
| IC22 | 161 |
| IC23 | 163 |
| IC24 | 174 |
| IC25 | 156 |

JP

| SYMBOL NO. | INDEX NO. |
|------------|-----------|
| JP1 | 211 |
| JP2 | 211 |
| JP3 | 211 |
| JP4 | 211 |
| JP5 | 212 |
| JP6 | 212 |
| JP7 | 212 |
| JP8 | 212 |
| JP9 | 212 |
| JP10 | 212 |

| SYMBOL NO. | INDEX NO. |
|------------|-----------|
| JP11 | 212 |
| JP12 | 212 |
| JP13 | 212 |
| JP14 | 211 |
| JP15 | 212 |
| JP16 | 212 |
| JP17 | 212 |
| JP18 | 212 |
| JP19 | 211 |
| JP20 | 212 |

| SYMBOL NO. | INDEX NO. |
|------------|-----------|
| JP21 | 212 |
| JP22 | 212 |
| JP23 | 211 |
| JP24 | 211 |
| --- | --- |
| JP26 | 212 |
| --- | --- |
| JP28 | 211 |
| JP29 | 212 |
| JP30 | 212 |

JP

| SYMBOL NO. | INDEX NO. |
|------------|-----------|
| --- | --- |
| --- | --- |
| JP33 | 212 |
| JP34 | 212 |
| JP35 | 212 |
| --- | --- |
| JP37 | 212 |
| --- | --- |
| JP39 | 212 |
| JP40 | 212 |

| SYMBOL NO. | INDEX NO. |
|------------|-----------|
| JP41 | 212 |
| JP42 | 211 |
| --- | --- |
| --- | --- |
| JP46 | 212 |
| JP47 | 212 |
| JP48 | 212 |
| JP49 | 212 |
| JP50 | 211 |

| SYMBOL NO. | INDEX NO. |
|------------|-----------|
| JP51 | 211 |
| --- | --- |
| JP53 | 212 |
| JP54 | 212 |
| JP55 | 212 |
| JP56 | 212 |
| JP57 | 212 |
| JP58 | 212 |
| JP59 | 212 |
| JP60 | 211 |

| SYMBOL NO. | INDEX NO. |
|------------|-----------|
| JP61 | 211 |
| JP62 | 212 |
| --- | --- |
| JP64 | 212 |
| JP65 | 212 |
| JP66 | 212 |
| JP67 | 212 |
| JP68 | 212 |
| JP69 | 212 |
| JP70 | 212 |

| SYMBOL NO. | INDEX NO. |
|------------|-----------|
| --- | --- |
| JP72 | 212 |
| JP73 | 212 |
| JP74 | 212 |
| --- | --- |
| JP76 | 212 |
| --- | --- |
| JP78 | 212 |
| JP79 | 212 |
| JP80 | 212 |

| SYMBOL NO. | INDEX NO. |
|------------|-----------|
| JP81 | 212 |
| JP82 | 212 |
| JP83 | 212 |
| --- | --- |
| --- | --- |
| JP86 | 212 |
| JP87 | 212 |
| --- | --- |
| JP89 | 212 |
| JP90 | 212 |

| SYMBOL NO. | INDEX NO. |
|------------|-----------|
| --- | --- |
| --- | --- |
| --- | --- |
| JP94 | 212 |
| JP95 | 212 |
| JP96 | 212 |
| --- | --- |
| JP98 | 212 |
| JP99 | 212 |
| JP100 | 212 |

23.FCU BOARD (H310/H311)

JP

| SYMBOL NO. | INDEX NO. |
|------------|-----------|
| --- | --- |
| --- | --- |
| --- | --- |
| JP104 | 212 |
| JP105 | 212 |
| | |
| JP106 | 212 |
| JP107 | 212 |
| JP108 | 212 |
| --- | --- |
| JP400 | 212 |

L

| SYMBOL NO. | INDEX NO. |
|------------|-----------|
| L1 | 208 |
| L2 | 207 |

OSC

| SYMBOL NO. | INDEX NO. |
|------------|-----------|
| OSC1 | 176 |
| OSC2 | 175 |
| OSC3 | 177 |

Q

| SYMBOL NO. | INDEX NO. |
|------------|-----------|
| Q1 | 137 |
| Q2 | 137 |
| Q3 | 143 |
| Q4 | 146 |
| Q5 | 154 |
| | |
| Q6 | 137 |
| Q7 | 143 |
| Q8 | 137 |
| Q9 | 154 |
| Q10 | 145 |

| SYMBOL NO. | INDEX NO. |
|------------|-----------|
| Q11 | 137 |
| Q12 | 144 |
| Q13 | 140 |
| Q14 | 136 |
| Q15 | 134 |
| | |
| Q16 | 141 |
| Q17 | 139 |
| Q18 | 136 |
| Q19 | 135 |
| Q20 | 138 |

| SYMBOL NO. | INDEX NO. |
|------------|-----------|
| Q21 | 138 |
| Q22 | 138 |
| Q23 | 138 |
| Q24 | 142 |
| Q25 | 142 |
| | |
| --- | --- |
| Q27 | 143 |
| Q28 | 138 |
| Q29 | 133 |

RESISTOR

| SYMBOL NO. | INDEX NO. |
|------------|-----------|
| --- | --- |
| R2 | 178 |
| R3 | 224 |
| R4 | 224 |
| R5 | 224 |
| | |
| R6 | 224 |
| R7 | 255 |
| R8 | 233 |
| R9 | 219 |
| R10 | 229 |

| SYMBOL NO. | INDEX NO. |
|------------|-----------|
| R11 | 255 |
| R12 | 219 |
| R13 | 222 |
| R14 | 257 |
| R15 | 249 |
| | |
| R16 | 249 |
| R17 | 249 |
| R18 | 249 |
| R19 | 295 |
| R20 | 269 |

RESISTOR

| SYMBOL NO. | INDEX NO. |
|------------|-----------|
| R21 | 287 |
| R22 | 296 |
| R23 | 300 |
| R24 | 302 |
| R25 | 263 |
| | |
| R26 | 266 |
| R27 | 271 |
| R28 | 267 |
| R29 | 283 |
| R30 | 179 |

| SYMBOL NO. | INDEX NO. |
|------------|-----------|
| R31 | 229 |
| R32 | 240 |
| --- | --- |
| --- | --- |
| R35 | 262 |
| | |
| --- | --- |
| R37 | 274 |
| R38 | 294 |
| R39 | 289 |
| R40 | 297 |

| SYMBOL NO. | INDEX NO. |
|------------|-----------|
| R41 | 182 |
| R42 | 179 |
| R43 | 235 |
| R44 | 251 |
| R45 | 228 |
| | |
| R46 | 286 |
| R47 | 278 |
| R48 | 232 |
| R49 | 238 |
| R50 | 226 |

| SYMBOL NO. | INDEX NO. |
|------------|-----------|
| R51 | 229 |
| R52 | 254 |
| R53 | 254 |
| R54 | 279 |
| --- | --- |
| | |
| R56 | 284 |
| R57 | 232 |
| R58 | 262 |
| R59 | 301 |
| R60 | 301 |

| SYMBOL NO. | INDEX NO. |
|------------|-----------|
| R61 | 277 |
| R62 | 277 |
| R63 | 182 |
| R64 | 228 |
| R65 | 228 |
| | |
| R66 | 226 |
| R67 | 226 |
| R68 | 226 |
| R69 | 226 |
| R70 | 226 |

| SYMBOL NO. | INDEX NO. |
|------------|-----------|
| R71 | 226 |
| R72 | 226 |
| R73 | 256 |
| R74 | 255 |
| R75 | 228 |
| | |
| R76 | 228 |
| R77 | 226 |
| R78 | 228 |
| R79 | 247 |
| R80 | 228 |

| SYMBOL NO. | INDEX NO. |
|------------|-----------|
| R81 | 183 |
| R82 | 183 |
| R83 | 180 |
| R84 | 243 |
| R85 | 243 |
| | |
| R86 | 181 |
| R87 | 254 |
| R88 | 228 |
| R89 | 228 |
| R90 | 228 |

23.FCU BOARD (H310/H311)

RESISTOR

| SYMBOL NO. | INDEX NO. | SYMBOL NO. | INDEX NO. | SYMBOL NO. | INDEX NO. | SYMBOL NO. | INDEX NO. | SYMBOL NO. | INDEX NO. | SYMBOL NO. | INDEX NO. | SYMBOL NO. | INDEX NO. |
|------------|-----------|------------|-----------|------------|-----------|------------|-----------|------------|-----------|------------|-----------|------------|-----------|
| --- | --- | R101 | 228 | R111 | 246 | R121 | 228 | R131 | 281 | R141 | 243 | R151 | 243 |
| R92 | 229 | R102 | 184 | R112 | 279 | R122 | 228 | R132 | 288 | R142 | 243 | R152 | 243 |
| R93 | 243 | R103 | 241 | R113 | 279 | R123 | 243 | R133 | 225 | R143 | 243 | R153 | 226 |
| R94 | 243 | R104 | 245 | R114 | 245 | R124 | 228 | R134 | 293 | R144 | 243 | R154 | 250 |
| R95 | 243 | R105 | 245 | R115 | 228 | R125 | 228 | R135 | 273 | R145 | 223 | R155 | 226 |
| R96 | 243 | R106 | 290 | R116 | 228 | R126 | 270 | R136 | 273 | R146 | 258 | R156 | 228 |
| R97 | 243 | R107 | 259 | R117 | 228 | R127 | 299 | R137 | 242 | R147 | 225 | R157 | 243 |
| R98 | 252 | R108 | 245 | R118 | 228 | R128 | 227 | R138 | 231 | R148 | 228 | R158 | 243 |
| R99 | 252 | R109 | 259 | R119 | 230 | R129 | 225 | R139 | 243 | R149 | 243 | R159 | 228 |
| R100 | 252 | R110 | 245 | R120 | 252 | R130 | 293 | R140 | 243 | R150 | 243 | R160 | 243 |

RESISTOR

| SYMBOL NO. | INDEX NO. | SYMBOL NO. | INDEX NO. | SYMBOL NO. | INDEX NO. | SYMBOL NO. | INDEX NO. | SYMBOL NO. | INDEX NO. | SYMBOL NO. | INDEX NO. | SYMBOL NO. | INDEX NO. |
|------------|-----------|------------|-----------|------------|-----------|------------|-----------|------------|-----------|------------|-----------|------------|-----------|
| R161 | 243 | R171 | 237 | R181 | 226 | R191 | 243 | R201 | 243 | R211 | 228 | R221 | 255 |
| R162 | 243 | R172 | 250 | R182 | 228 | R192 | 228 | R202 | 243 | R212 | 228 | --- | --- |
| R163 | 243 | R173 | 264 | R183 | 228 | R193 | 228 | R203 | 243 | R213 | 228 | R223 | 244 |
| R164 | 243 | R174 | 226 | R184 | 243 | R194 | 243 | R204 | 243 | R214 | 228 | R224 | 227 |
| R165 | 243 | R175 | 226 | R185 | 243 | R195 | 228 | R205 | 243 | R215 | 228 | R225 | 261 |
| R166 | 243 | R176 | 260 | R186 | 243 | R196 | 228 | R206 | 243 | R216 | 243 | R226 | 262 |
| R167 | 243 | R177 | 226 | R187 | 243 | R197 | 228 | R207 | 228 | --- | --- | R227 | 285 |
| R168 | 243 | R178 | 228 | R188 | 228 | R198 | 243 | R208 | 232 | R218 | 254 | R228 | 261 |
| R169 | 228 | R179 | 249 | R189 | 243 | R199 | 243 | R209 | 228 | R219 | 228 | R229 | 228 |
| R170 | 228 | R180 | 243 | R190 | 228 | R200 | 243 | R210 | 228 | R220 | 226 | R230 | 246 |

23.FCU BOARD (H310/H311)

RESISTOR

| SYMBOL NO. | INDEX NO. | SYMBOL NO. | INDEX NO. | SYMBOL NO. | INDEX NO. | SYMBOL NO. | INDEX NO. | SYMBOL NO. | INDEX NO. | SYMBOL NO. | INDEX NO. | SYMBOL NO. | INDEX NO. |
|------------|-----------|------------|-----------|------------|-----------|------------|-----------|------------|-----------|------------|-----------|------------|-----------|
| R231 | 241 | R241 | 239 | R251 | 254 | R261 | 226 | --- | --- | R281 | 298 | R291 | 253 |
| R232 | 228 | R242 | 239 | R252 | 254 | R262 | 240 | --- | --- | R282 | 232 | R292 | 227 |
| R233 | 228 | R243 | 254 | R253 | 221 | R263 | 240 | --- | --- | R283 | 282 | R293 | 291 |
| R234 | 254 | R244 | 228 | R254 | 254 | R264 | 240 | --- | --- | R284 | 253 | R294 | 227 |
| R235 | 254 | R245 | 229 | R255 | 236 | R265 | 225 | R275 | 262 | R285 | 275 | R295 | 291 |
| R236 | 220 | R246 | 292 | R256 | 254 | R266 | 228 | R276 | 297 | R286 | 254 | R296 | 227 |
| R237 | 220 | R247 | 279 | R257 | 226 | R267 | 239 | R277 | 265 | R287 | 254 | R297 | 276 |
| --- | --- | R248 | 262 | R258 | 236 | --- | --- | R278 | 279 | R288 | 254 | R298 | 272 |
| R239 | 228 | R249 | 229 | R259 | 234 | --- | --- | R279 | 268 | R289 | 249 | R299 | 219 |
| --- | --- | R250 | 225 | R260 | 226 | --- | --- | R280 | 280 | R290 | 232 | R400 | 252 |

RESISTOR

| SYMBOL NO. | INDEX NO. |
|------------|-----------|
| R401 | 236 |
| R402 | 236 |
| R403 | 236 |
| R404 | 248 |

REG

| SYMBOL NO. | INDEX NO. |
|------------|-----------|
| REG1 | 172 |
| REG2 | 168 |
| REG3 | 169 |

RN

| SYMBOL NO. | INDEX NO. |
|------------|-----------|
| RN1 | 188 |
| RN2 | 186 |
| RN3 | 186 |
| RN4 | 187 |
| RN5 | 187 |
| RN6 | 186 |
| RN7 | 186 |
| RN8 | 186 |
| RN9 | 185 |
| RN10 | 186 |

| SYMBOL NO. | INDEX NO. |
|------------|-----------|
| RN11 | 191 |
| RN12 | 191 |
| RN13 | 190 |
| RN14 | 190 |
| RN15 | 194 |
| RN16 | 194 |
| RN17 | 192 |
| RN18 | 192 |
| RN19 | 187 |
| RN20 | 195 |

| SYMBOL NO. | INDEX NO. |
|------------|-----------|
| RN21 | 192 |
| RN22 | 192 |
| RN23 | 192 |
| RN24 | 192 |
| RN25 | 193 |
| RN26 | 193 |
| RN27 | 192 |
| RN28 | 192 |
| RN29 | 189 |
| RN30 | 192 |

| SYMBOL NO. | INDEX NO. |
|------------|-----------|
| RN31 | 193 |
| RN32 | 192 |
| RN33 | 193 |
| RN34 | 192 |
| RN35 | 192 |
| RN36 | 187 |
| RN37 | 192 |

TB

| SYMBOL NO. | INDEX NO. |
|------------|-----------|
| TB1 | 122 |
| TB1 | 129 |

ZD

| SYMBOL NO. | INDEX NO. |
|------------|-----------|
| ZD2 | 152 |
| ZD3 | 147 |

23.FCU BOARD (H310/H311)

| Index No. | Part No. | Description | Q'ty Per Assembly |
|-----------|-----------|-------------------------------|-------------------|
| * | H310 6017 | FCU Board | 1 |
| 1 | H310 7101 | LSI KVPL RL 5C354 | 1 |
| 2 | H555 7102 | LSI CIOP MICPD65945GD-P10-LML | 1 |
| 3 | H555 7110 | LSI - SCP2A RI5A243A | 1 |

| Index No. | Part No. | Description | Q'ty Per Assembly |
|-----------|-----------|----------------------------------|-------------------|
| 101 | 1102 4201 | Connector - 2P | |
| 102 | 1102 4205 | CT Header - 6P | |
| 103 | 1102 4206 | Connector - 7P | |
| 104 | 1102 4208 | Connector - 9P | |
| 105 | 1102 4209 | CT Header - 10P | |
| 106 | 1102 4211 | CT Header - 12P | |
| 107 | 1102 4212 | CT Header - 15P | |
| 108 | 1102 4620 | CT Header - 3P | |
| 109 | 1102 4626 | Connector - 9P | |
| 110 | 1102 4627 | Connector - 10P | |
| 111 | 1102 4629 | Connector - 12P | |
| 112 | 1102 4631 | CT Connector - 2P | |
| 113 | 1102 4635 | Connector - 6P | |
| 114 | 1102 4638 | Perpendicular - 9P | |
| 115 | 1102 4639 | CT Connector - 10P | |
| 116 | 1102 4640 | Connector - 11P | |
| 117 | 1102 4646 | Connector - 5P | |
| 118 | 1102 4647 | Connector - 6P | |
| 119 | 1102 4651 | Connector - 10P | |
| 120 | 1102 5605 | Connector - 13P | |
| 121 | 1102 5844 | Connector - 5566-02A | |
| 122 | 1102 5944 | Connector - 3P | |
| 123 | 1102 6789 | Connector - 100P | |
| 124 | 1102 7029 | Connector - 8p - 53375-0810 | |
| 125 | 1102 7093 | Connector - 53375-0610 | |
| 126 | 1102 8153 | Connector - FCN-568P068-G/05A-V4 | |
| 127 | 1102 9042 | Connector - DIMM SX6-144-0.8SH2 | |
| 128 | 1102 9043 | Connector - TX24-30R-6ST-N1 | |
| 129 | 1104 0730 | Short Pin - 2P | |
| 130 | 1107 0605 | Fuse - 250V/1A | |
| 131 | 1107 0622 | Fuse - 3.15A 250V | |
| 132 | 1206 0081 | Lithium Battery - MI2430-HJ1 | |
| 133 | 1400 0587 | Transistor - DTD123TK | |
| 134 | 1400 0663 | Transistor - 2SA1037AK | |
| 135 | 1400 0769 | Transistor - 2SA1576A | |

| Index No. | Part No. | Description | Q'ty Per Assembly |
|-----------|-----------|----------------------------|-------------------|
| 136 | 1400 0775 | Transistor - 2SC4081 | |
| 137 | 1400 0796 | Transistor - UMH10N | |
| 138 | 1400 0801 | Transistor - DTC113ZUA | |
| 139 | 1400 0833 | Transistor - UMX3N | |
| 140 | 1400 0863 | Transistor - UMD6N | |
| 141 | 1400 0872 | Transistor - UMZ1N | |
| 142 | 1400 0902 | Transistor - DTA113ZUA | |
| 143 | 1400 0918 | Transistor - DTC123JUA | |
| 144 | 1401 1056 | Fet - 2SK2158 | |
| 145 | 1401 1136 | Fet - HAT1020R | |
| 146 | 1401 1142 | Fet - 2SJ477-01MR | |
| 147 | 1402 1296 | Zener Diode - HZ3C1 | |
| 148 | 1402 1322 | Diode Array - DAN202U | |
| 149 | 1402 1336 | Diode - 1SS355 | |
| 150 | 1402 1337 | Diode - RB731U | |
| 151 | 1402 1343 | Diode - RB106L-40 | |
| 152 | 1402 1499 | Diode UDZS5.1B | |
| 153 | 1402 1584 | Diode - DAN217U | |
| 154 | 1407 2219 | IC - TD62003AP | |
| 155 | 1407 3124 | IC - TA7291AS | |
| 156 | 1407 3357 | Comparator - BA10393F | |
| 157 | 1407 5127 | IC - SLA7033M | |
| 158 | 1407 5128 | IC - SLA7032M | |
| 159 | 1407 5174 | CMOS - SN74LVC04APW | |
| 160 | 1407 5315 | CMOS - LOGIC TC7WH74FK | |
| 161 | 1407 5349 | IC - SN74LV4066APW | |
| 162 | 1407 5369 | IC - SN74AHCT32PW | |
| 163 | 1407 5400 | Clock Generator MK1714-01R | |
| 164 | 1407 5464 | IC - SN74LV4051APW | |
| 165 | 1407 5519 | IC - SN74AHCT245PW | |
| 166 | 1407 5659 | IC - RL5T882SB | |
| 167 | 1407 5695 | Modem IC - MN195006-D | |
| 168 | 1408 1290 | Regulator - TA7805S | |
| 169 | 1408 1295 | IC - UPC2933T | |
| 170 | 1408 1504 | Amplifier - NJM2113M | |

| Index No. | Part No. | Description | Q'ty Per Assembly |
|-----------|-----------|-------------------------------------|-------------------|
| 171 | 1408 1550 | IC - LM2902PW | |
| 172 | 1408 1555 | Regulator - L1087MP-3.3 | |
| 173 | 1408 1653 | Opeamp - LMV324IPW | |
| 174 | 1408 1688 | IC - RN5RK | |
| 175 | 1503 0460 | Oscillator - 32.768KHZ | |
| 176 | 1503 1066 | Crystal Oscilator - 24.576MHZ | |
| 177 | 1503 1105 | Crystal Oscilator - 15.9744MHZ | |
| 178 | 1600 1334 | Resistor - 220Ω ±5% 2W | |
| 179 | 1600 1418 | Resistor - 1.0Ω 1W | |
| 180 | 1601 1811 | Resistor - 470Ω ±5% | |
| 181 | 1601 5470 | Resistor - 1K Ω ±5% 1W | |
| 182 | 1601 5500 | Resistor - 0.68Ω ±5% 1W | |
| 183 | 1601 5549 | Resistor - 47Ω ±5% 2W | |
| 184 | 1601 5556 | Resistor - 430Ω ±5% 2W | |
| 185 | 1601 7750 | Resistor - 22K Ω ±5.00% | |
| 186 | 1601 7751 | Resistor - 4.7KΩ ±5% | |
| 187 | 1601 7752 | Resistor Array - 10K Ω ±5% | |
| 188 | 1601 7796 | Resistor Array - 2.2KO | |
| 189 | 1601 7867 | Resistor - 33 Ω ±5% 1/16W | |
| 190 | 1601 7871 | Resistor - 68Ω ±5% 1/16W | |
| 191 | 1601 7893 | Resistor Array - 470 Ω ±5% 1/16W | |
| 192 | 1601 7915 | Resistor Array - 33 Ω ±5% 1/16W | |
| 193 | 1601 7919 | Resistor - 10KΩ ±5% 1/16W 8 | |
| 194 | 1601 7920 | Resistor - 3.3KΩ ±5% 1/16W | |
| 195 | 1601 7926 | Resistor - 68 Ω ±5% 1/16W 8 | |
| 196 | 1604 4802 | Capacitor - 330μF±20% 35V | |
| 197 | 1605 0976 | Capacitor - 1μF+80% -20% 10V | |
| 198 | 1605 1136 | Ceramic Capacitor - 33000pF ±10% 2 | |
| 199 | 1605 1148 | Capacitor - 0.1μF+80-20% 50V | |
| 200 | 1605 1167 | Capacitor - 0.22μF±10% 10V | |
| 201 | 1605 1190 | Ceramic Capacitor - 0.022μF±10% 50V | |
| 202 | 1607 0789 | Inductor - BLM11A221SPB | |
| 203 | 1607 0824 | Filter - BLM11A601SPB | |
| 204 | 1607 0973 | Inductor - BLM11A121SPB | |
| 205 | 1607 1040 | Filter - ACB1608M-120 | |


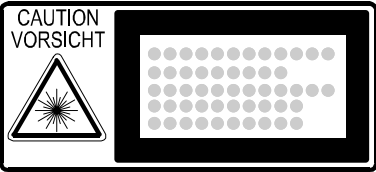
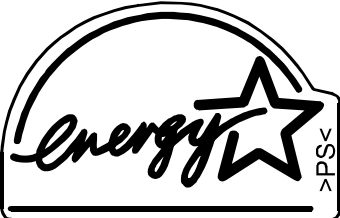
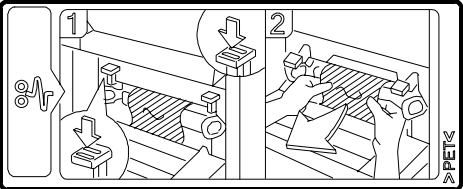

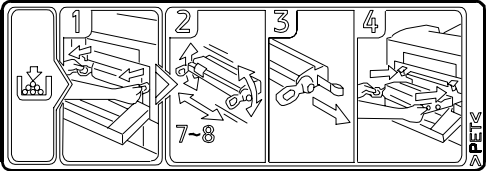

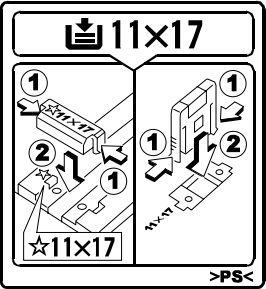
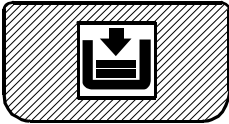
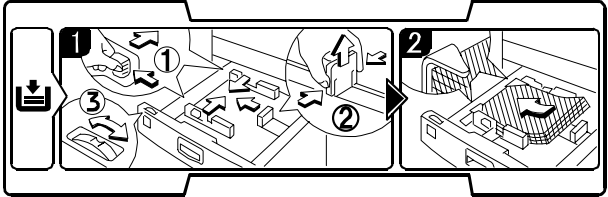
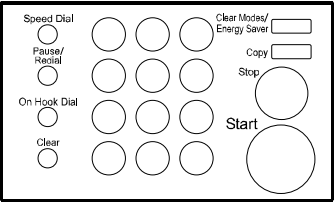

| Index No. | Part No. | Description | Q'ty Per Assembly |
|-----------|-----------|--|-------------------|
| 206 | 1607 1061 | Filter - BLM11P300SPB | |
| 207 | 1607 1196 | Inductor -220uh $\pm 20\%$ 0.33A | |
| 208 | 1607 1266 | Inductor - TSL0808-100K2R6 | |
| 209 | 1607 1343 | Filter - BLM18BD221SN1B | |
| 210 | 1607 1387 | Filter - BLM18BB600SN1B | |
| 211 | 1633 0000 | Resistor - 0 Ω 1/10W | |
| 212 | 1634 0000 | Resistor - 0 Ω 1/16W | |
| 213 | 1642 0101 | Capacitor - 100 μ F $\pm 20\%$ 50V | |
| 214 | 1642 0221 | Capacitor - 220 μ F $\pm 20\%$ 10V | |
| 215 | 1642 0330 | Capacitor - 33 μ F $\pm 20\%$ 10V | |
| 216 | 1642 0470 | Capacitor - 47 μ F $\pm 20\%$ 10V | |
| 217 | 1642 2100 | Capacitor - 10 μ F $\pm 20\%$ 25V | |
| 218 | 1642 3470 | Capacitor - 47 μ F $\pm 20\%$ 35V | |
| 219 | 1650 3101 | Resistor - 100 $\Omega \pm 5\%$ 1/8W | |
| 220 | 1650 3151 | Resistor - 150 $\Omega \pm 5\%$ 1/8W | |
| 221 | 1650 3201 | Resistor - 200 $\Omega \pm 5\%$ 1/8W | |
| 222 | 1650 3391 | Resistor - 390 $\Omega \pm 5\%$ 1/8W | |
| 223 | 1650 3471 | Resistor - 470 $\Omega \pm 5\%$ 1/8W | |
| 224 | 1650 3561 | Resistor - 560 $\Omega \pm 5\%$ 1/8W | |
| 225 | 1650 4100 | Resistor - 10 $\Omega \pm 5\%$ 1/10W | |
| 226 | 1650 4101 | Resistor - 100 $\Omega \pm 5\%$ 1/10W | |
| 227 | 1650 4102 | Resistor - 1K $\Omega \pm 5\%$ 1/10W | |
| 228 | 1650 4103 | Resistor - 10K $\Omega \pm 5\%$ 1/10W | |
| 229 | 1650 4104 | Resistor - 100K $\Omega \pm 5\%$ 1/10W | |
| 230 | 1650 4105 | Resistor - 1M $\Omega \pm 5\%$ 1/10W | |
| 231 | 1650 4106 | Resistor - 10M $\Omega \pm 5\%$ 1/10W | |
| 232 | 1650 4122 | Resistor - 1.2K $\Omega \pm 5\%$ 1/10W | |
| 233 | 1650 4123 | Resistor - 12K $\Omega \pm 5\%$ 1/10W | |
| 234 | 1650 4152 | Resistor - 1.5K $\Omega \pm 5\%$ 1/10W | |
| 235 | 1650 4154 | Resistor 150k $\Omega \pm 5\%$ 1/10W | |
| 236 | 1650 4201 | Resistor - 200 $\Omega \pm 5\%$ 1/10W | |
| 237 | 1650 4202 | Resistor - 2K $\Omega \pm 5\%$ 1/10W | |
| 238 | 1650 4203 | Resistor - 20K $\Omega \pm 5\%$ 1/10W | |
| 239 | 1650 4204 | Resistor - 200K $\Omega \pm 5\%$ 1/10W | |
| 240 | 1650 4222 | Resistor - 2.2K $\Omega \pm 5\%$ 1/10W | |

| Index No. | Part No. | Description | Q'ty Per Assembly |
|-----------|-----------|---|-------------------|
| 241 | 1650 4223 | Resistor - 22K $\Omega \pm 5\%$ 1/10W | |
| 242 | 1650 4274 | Resistor - 270K $\Omega \pm 5\%$ 1/10W | |
| 243 | 1650 4330 | Chip Resistor - 33 $\Omega \pm 5\%$ 1/10W | |
| 244 | 1650 4332 | Resistor - 3.3K $\Omega \pm 5\%$ 1/10W | |
| 245 | 1650 4333 | Resistor - 33K $\Omega \pm 5\%$ 1/10W | |
| 246 | 1650 4334 | Resistor - 330K $\Omega \pm 5\%$ 1/10W | |
| 247 | 1650 4361 | Resistor - 360 $\Omega \pm 5\%$ 1/10W | |
| 248 | 1650 4391 | Resistor - 390 $\Omega \pm 5\%$ 1/10W | |
| 249 | 1650 4392 | Chip Resistor - 3.9k $\Omega \pm 5\%$ 1/10W | |
| 250 | 1650 4393 | Resistor - 39K $\Omega \pm 5\%$ 1/10W | |
| 251 | 1650 4394 | Resistor - 390k $\Omega \pm 5\%$ 1/10W | |
| 252 | 1650 4470 | Resistor - 47 $\Omega \pm 5\%$ 1/10W | |
| 253 | 1650 4471 | Resistor - 470 $\Omega \pm 5\%$ 1/10W | |
| 254 | 1650 4472 | Resistor - 4.7K $\Omega \pm 5\%$ 1/10W | |
| 255 | 1650 4473 | Resistor - 47K $\Omega \pm 5\%$ 1/10W | |
| 256 | 1650 4510 | Resistor - 51 $\Omega \pm 5\%$ 1/10W | |
| 257 | 1650 4511 | Resistor - 510 $\Omega \pm 5\%$ 1/10W | |
| 258 | 1650 4560 | Chip Resistor - 56 $\Omega \pm 5\%$ 1/10W | |
| 259 | 1650 4563 | Resistor - 56K $\Omega \pm 5\%$ 1/10W | |
| 260 | 1650 4820 | Resistor - 82 $\Omega \pm 5\%$ 1/10W | |
| 261 | 1654 1002 | Resistor - 10K $\Omega \pm 5\%$ 1/10W | |
| 262 | 1654 1003 | Resistor - 100K $\Omega \pm 1\%$ 1/10W | |
| 263 | 1654 1070 | Resistor - 107 $\Omega \pm 1\%$ 1/10W | |
| 264 | 1654 1101 | Resistor - 1.1K $\Omega \pm 1\%$ 1/10W | |
| 265 | 1654 1102 | Resistor - 11K $\Omega \pm 1\%$ 1/10W | |
| 266 | 1654 1180 | Resistor - 118 $\Omega \pm 1\%$ 1/10W | |
| 267 | 1654 1181 | Resistor - 1.18K $\Omega \pm 1\%$ 1/10W | |
| 268 | 1654 1183 | Resistor - 118K $\Omega \pm 1\%$ 1/10W | |
| 269 | 1654 1189 | Resistor - 11.8 $\Omega \pm 1\%$ 1/10W | |
| 270 | 1654 1201 | Resistor - 1.2K $\Omega \pm 1\%$ 1/10W | |
| 271 | 1654 1210 | Resistor - 121 $\Omega \pm 1\%$ 1/10W | |
| 272 | 1654 1273 | Resistor - 127K $\Omega \pm 1\%$ 1/10W | |
| 273 | 1654 1400 | Resistor - 140 $\Omega \pm 1\%$ 1/10W | |
| 274 | 1654 1503 | Resistor - 150K $\Omega \pm 1\%$ 1/10W | |
| 275 | 1654 1541 | Resistor - 1.54K $\Omega \pm 1\%$ 1/10W | |

| Index No. | Part No. | Description | Q'ty Per Assembly |
|-----------|-----------|---|-------------------|
| 276 | 1654 1653 | Resistor - 165K Ω \pm 1% 1/10W | |
| 277 | 1654 1801 | Resistor - 1.8K Ω \pm 1% 1/10W | |
| 278 | 1654 1802 | Resistor - 18K Ω \pm 1% 1/10W | |
| 279 | 1654 2002 | Resistor - 20K Ω \pm 1% 1/10W | |
| 280 | 1654 2150 | Resistor - 215 Ω \pm 1% 1/10W | |
| 281 | 1654 2401 | Resistor - 2.4K Ω \pm 1% 1/10W | |
| 282 | 1654 2490 | Resistor - 249 Ω \pm 1% 1/10W | |
| 283 | 1654 2611 | Resistor - 2.61K Ω \pm 1% 1/10W | |
| 284 | 1654 2702 | Resistor - 27K Ω \pm 1% 1/10W | |
| 285 | 1654 2872 | Resistor 28.7k Ω \pm 1% 1/10w | |
| 286 | 1654 3303 | Resistor - 330K Ω \pm 1% 1/10W | |
| 287 | 1654 3579 | Resistor - 35.7 Ω \pm 1% 1/10W | |
| 288 | 1654 3601 | Resistor - 3.6K Ω \pm 1% 1/10W | |
| 289 | 1654 4300 | Resistor - 430 Ω \pm 1% 1/10W | |
| 290 | 1654 4301 | Resistor - 4.3K Ω \pm 1% 1/10W | |
| 291 | 1654 4302 | Resistor - 43K Ω \pm 1% 1/10W | |
| 292 | 1654 4533 | Chip Resistor - 453k Ω \pm 1% 1/10W | |
| 293 | 1654 4700 | Resistor - 470 Ω \pm 1% 1/10W | |
| 294 | 1654 4872 | Chip Resistor - 48.7k Ω \pm 1% 1/10W | |
| 295 | 1654 4990 | Resistor - 499 Ω \pm 1% 1/10W | |
| 296 | 1654 5769 | Resistor - 57.6 Ω \pm 1% 1/10W | |
| 297 | 1654 6202 | Resistor - 62K Ω \pm 1% 1/10W | |
| 298 | 1654 6490 | Resistor - 649 Ω \pm 1% 1/10W | |
| 299 | 1654 7500 | Resistor - 750 Ω \pm 1% 1/10W | |
| 300 | 1654 7689 | Resistor - 76.8 Ω \pm 1% 1/10W | |
| 301 | 1654 8201 | Resistor - 8.2K Ω \pm 1% 1/10W | |
| 302 | 1654 9319 | Resistor - 93.1 Ω \pm 1% 1/10W | |
| 303 | 1660 0100 | Capacitor - 10PF \pm 0.5pF 50V | |
| 304 | 1660 2101 | Capacitor - 100pF \pm 10% - 50V | |
| 305 | 1660 2120 | Capacitor - 12 pF \pm 5% 50V | |
| 306 | 1660 2150 | Capacitor - 15pF \pm 5% 50V | |
| 307 | 1660 2220 | Capacitor - 22pF \pm 20% 35V | |
| 308 | 1660 2221 | Capacitor - 220pF +80-20% 50V | |
| 309 | 1660 2271 | Capacitor - 270pF +80-20% - 50V | |
| 310 | 1660 2330 | Capacitor - 33pF \pm 5% - 50V | |

| Index No. | Part No. | Description | Q'ty Per Assembly |
|-----------|-----------|------------------------------------|-------------------|
| 311 | 1660 2331 | Capacitor - 330pF \pm 5% 50V | |
| 312 | 1660 2391 | Capacitor - 390pF \pm 5% 50V | |
| 313 | 1660 2470 | Capacitor - 47pF \pm 5% 50V | |
| 314 | 1660 2471 | Capacitor - 470pF \pm 5% - 50V | |
| 315 | 1660 2680 | Capacitor - 68pF \pm 5% 50V | |
| 316 | 1660 4102 | Capacitor - 1000pF \pm 10% 50V | |
| 317 | 1660 4222 | Capacitor - 2200pF \pm 10% - 50V | |
| 318 | 1660 4472 | Capacitor - 4700pF \pm 10% 50V | |
| 319 | 1660 4682 | Capacitor - 6800pF 50V 1608 | |
| 320 | 1660 6103 | Capacitor - 10000pF - +80%-20%50V | |
| 321 | 1660 8104 | Capacitor - 0.1 μ F+80-20% 25V | |

24.DECALS AND DOCUMENTS (H310/H311)

| <p>1</p>  | <p>2</p>  | <p>3</p>  | <p>4</p> <p>Face down Face imprimée vers le bas Mit der Schriftseite nach unten Faccia in giù Cara abajo Tekst ned Textt ned Face para baixo Beeldzijde onder 影印面下 >PEK<</p> | | | | | | | | | | | | | | | | | |
|---|---|---|--|--------|---------|---------|---------|---------|------------|-----------|-----------|---------------------|-------------------|-----------------------|----------------|-------------------|-------------------|--------------------------------|-------------------------------|---------------------------------|
| <p>5</p>  | <p>6</p>  | <p>7</p>  | | | | | | | | | | | | | | | | | | |
| <p>8</p>  | <p>9</p>  | <p>10</p>  | <p>11</p>  | | | | | | | | | | | | | | | | | |
| <p>12</p>  | <p>13</p>  | <p>14</p> <table border="1"> <thead> <tr> <th>English</th> <th>French</th> <th>Spanish</th> </tr> </thead> <tbody> <tr> <td>Scanner</td> <td>Scanner</td> <td>Escáner</td> </tr> <tr> <td>Network TX</td> <td>TX Réseau</td> <td>TX En Red</td> </tr> <tr> <td>Auto Mail Reception</td> <td>Rec. Auto Courier</td> <td>Recepción Correo Auto</td> </tr> <tr> <td>Mail Reception</td> <td>Reception Courier</td> <td>Recepción Courier</td> </tr> <tr> <td>Detail 300ppp Super Fine</td> <td>Détail 300ppp Ultra Fin</td> <td>Detalle 300dpi Super Fino</td> </tr> </tbody> </table> | English | French | Spanish | Scanner | Scanner | Escáner | Network TX | TX Réseau | TX En Red | Auto Mail Reception | Rec. Auto Courier | Recepción Correo Auto | Mail Reception | Reception Courier | Recepción Courier | Detail 300ppp Super Fine | Détail 300ppp Ultra Fin | Detalle 300dpi Super Fino |
| English | French | Spanish | | | | | | | | | | | | | | | | | | |
| Scanner | Scanner | Escáner | | | | | | | | | | | | | | | | | | |
| Network TX | TX Réseau | TX En Red | | | | | | | | | | | | | | | | | | |
| Auto Mail Reception | Rec. Auto Courier | Recepción Correo Auto | | | | | | | | | | | | | | | | | | |
| Mail Reception | Reception Courier | Recepción Courier | | | | | | | | | | | | | | | | | | |
| Detail 300ppp Super Fine | Détail 300ppp Ultra Fin | Detalle 300dpi Super Fino | | | | | | | | | | | | | | | | | | |

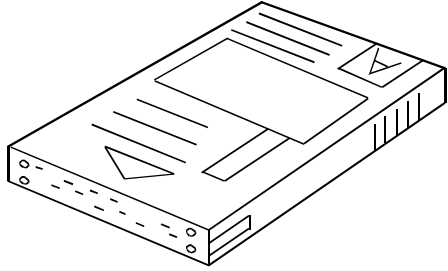
24.DECALS AND DOCUMENTS (H310/H311)

| Index No. | Part No. | Description | Q'ty Per Assembly |
|-----------|-----------|---------------------------|-------------------|
| 1 | B404 3861 | SG3 Decal | 1 |
| 2 | G029 1982 | LD - Decal | 1 |
| 3 | GA00 3035 | Energy Decal | 1 |
| 4 | H310 1250 | Decal Manual Feed ADF | 1 |
| 5 | H310 2143 | Warning Decal | 1 |
| 6 | H310 2199 | Decalt Fusing | 1 |
| 7 | H310 2350 | Decal AIO | 1 |
| 8 | H310 3357 | Decal - Side Fence | 1 |
| 9 | H310 3358 | Decal - Dlt | 1 |
| 10 | H310 3359 | Decal Paper Level | 1 |
| 11 | H310 3360 | Paper Set Direction Decal | 1 |
| 12 | H310 4453 | 10key Decal | 1 |
| 13 | H311 4110 | NIC Fax Decal | 1 |
| 14 | H311 4112 | Function Decal | 1 |

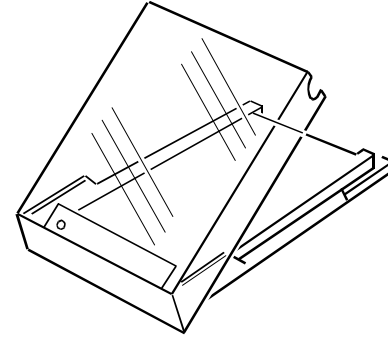
| Index No. | Part No. | Description | Q'ty Per Assembly |
|-----------|----------|-------------|-------------------|
| | | | |

25.SPECIAL TOOLS (H310/H311)

1



2



25.SPECIAL TOOLS (H310/H311)

| Index No. | Part No. | Description | Q'ty Per Assembly |
|-----------|-----------|-------------------------|-------------------|
| 1 | N803 6701 | Flash Memory Card - 4MB | 1 |
| 2 | N803 1000 | Card Case | 1 |

| Index No. | Part No. | Description | Q'ty Per Assembly |
|-----------|----------|-------------|-------------------|
|-----------|----------|-------------|-------------------|

Parts Index

PM Parts Index

| Section Name | Part No. | Description in Service Manual | Description in Parts Catalog | Q'ty Per Assembly | Page and Index No. |
|--------------------------------|-----------|-------------------------------|------------------------------|-------------------|--------------------|
| ADF UNIT 2 (H310/H311) | H306 1293 | Reverse Roller | Reverse Roller | 1 | 9- 18 |
| ADF UNIT 3 (H310/H311) | H521 1314 | Spring Clutch - M6 | Spring Clutch - M6 | 1 | 11- 9 |
| | H306 1292 | Pickup Roller | Pickup Roller | 1 | 11- 16 |
| | H310 1225 | Feed Roller | Feed Roller | 1 | 11- 19 |
| TRANSPORT SECTION (H310/H311) | G029 3950 | Transfer Roller | Transfer Roller | 1 | 17- 24 |
| PAPER REGISTRATION (H310/H311) | AF03 1033 | Paper Feed Roller | Paper Feed Roller | 2 | 23- 32 |
| FUSING UNIT 1 (H310/H311) | H310 2188 | Pressure Roller | Pressure Roller | 1 | 27- 10 |
| | H310 2193 | Exit Roller | Exit Roller | 1 | 27- 13 |
| | 0805 3507 | Bushing - 6mm | Bushing - 6mm | 0 | 27-103 |
| FUSING UNIT 2 (H310/H311) | H310 2160 | Hot Roller | Hot Roller | 1 | 29- 1 |
| | AE03 0041 | Ball Bearing -20x32x7 | Ball Bearing -20x32x7 | 2 | 29- 2 |
| | H306 2137 | Paper Stripper Pawl | Paper Stripper Pawl | 2 | 29- 12 |
| | H310 2151 | Fusing Unit Harness | Fusing Unit Harness | 1 | 29- 20 |

Parts Index

| Part No. | Description | Page and Index No. |
|-----------|------------------------------|--------------------|
| H310 1030 | Contact Image Sensor | 15 - 11 |
| H310 1071 | R2 Roller Spring | 15 - 13 |
| H310 1080 | Scanner Base | 15 - 12 |
| H310 1081 | R1 Roller Stay | 15 - 14 |
| H310 1083 | R1 Roller Spring | 15 - 18 |
| H310 1085 | R1 Roller Guide | 15 - 19 |
| H310 1088 | Contact Point Front Bracket | 7 - 2 |
| H310 1089 | Contact Point Rear Bracket | 7 - 26 |
| H310 1097 | Pressure Roller Spring Plate | 15 - 28 |
| H310 1098 | Earth Spring | 15 - 27 |
| H310 1103 | R1 Pressure Roller Shaft | 15 - 16 |
| H310 1104 | Contact Point Bracket | 7 - 27 |
| H310 1113 | Scanner Sponge | 15 - 20 |
| H310 1114 | Scanner Sponge | 15 - 21 |
| H310 1115 | Scanner Sponge | 15 - 23 |
| H310 1116 | Scanner Sponge | 15 - 4 |
| H310 1117 | Scanner Sponge | 15 - 29 |
| H310 1118 | Scanner Sponge | 15 - 5 |
| H310 1119 | Scanner Sheet | 15 - 37 |
| H310 1120 | Scanner Sheet | 15 - 36 |
| H310 1121 | Scanner Sheet | 15 - 35 |
| H310 1150 | Sheet | 15 - 33 |
| H310 1151 | Sheet | 15 - 32 |
| H310 1152 | Sheet | 15 - 34 |
| H310 1170 | Bracket Cover | 7 - 28 |
| H310 1180 | Front Grounding Plate | 15 - 30 |
| H310 1181 | Rear Grounding Plate | 15 - 31 |
| H310 1190 | Grounding Plate | 15 - 38 |
| H310 1196 | Exit Guide | 15 - 22 |
| H310 1215 | Manual Feed Table | 7 - 9 |
| H310 1216 | Manual Feed Rear ADF Guide | 7 - 6 |
| H310 1218 | Original Table | 3 - 9 |
| H310 1222 | Feeler Spring | 9 - 10 |
| H310 1223 | PCB Bracket | 9 - 1 |
| H310 1224 | Shaft | 13 - 9 |

| Part No. | Description | Page and Index No. |
|-----------|-----------------------------|--------------------|
| H310 1225 | Feed Roller | 11 - 19 |
| H310 1231 | Original Guide | 3 - 10 |
| H310 1232 | Exit Tray | 3 - 11 |
| H310 1233 | Exit Tray Guide | 3 - 12 |
| H310 1240 | ADF Upper Guide | 11 - 4 |
| H310 1242 | Front Original Guide | 11 - 1 |
| H310 1243 | Rear Original Guide | 11 - 2 |
| H310 1244 | Rear Lower ADF Cover | 9 - 24 |
| H310 1245 | Manual Feed ADF Guide | 7 - 13 |
| H310 1246 | ADF Upper Cover | 7 - 15 |
| H310 1248 | Manual Feed Front Guide | 7 - 7 |
| H310 1250 | Decal Manual Feed ADF | 7 - 8 |
| H310 1250 | Decal Manual Feed ADF | 57 - 4 |
| H310 1260 | Harness Clamp | 13 - 30 |
| H310 1261 | Rear Sponge Cover | 9 - 36 |
| H310 1270 | Pressure Plate | 9 - 34 |
| H310 1280 | Reverse Guide Plate | 13 - 33 |
| H310 1290 | Front Lower ADF Cover | 9 - 2 |
| H310 1320 | Lock Lever | 13 - 13 |
| H310 1341 | Separation Cover | 11 - 5 |
| H310 1350 | Pressure Plate Front Spring | 13 - 34 |
| H310 1351 | Pressure Plate Rear Spring | 13 - 35 |
| H310 2143 | Warning Decal | 27 - 1 |
| H310 2143 | Warning Decal | 57 - 5 |
| H310 2148 | Fusing Exit Guide | 27 - 9 |
| H310 2151 | Fusing Unit Harness | 29 - 20 |
| H310 2157 | Fusing Unit | 29 - * |
| H310 2157 | Fusing Unit | 27 - * |
| H310 2160 | Hot Roller | 29 - 1 |
| H310 2164 | Fusing Entrance Guide Plate | 27 - 16 |
| H310 2165 | Exit Feeler | 15 - 1 |
| H310 2167 | Sheet Fusing Guide Plate | 27 - 19 |
| H310 2168 | Sheet Fusing Guide Plate | 27 - 17 |
| H310 2169 | Fusing Cover | 27 - 3 |
| H310 2170 | Electrode Plate | 29 - 6 |

| Part No. | Description | Page and Index No. |
|-----------|------------------------------|--------------------|
| H310 2173 | Pressure Release Front Lever | 27 - 20 |
| H310 2174 | Pressure Release Rear Lever | 27 - 6 |
| H310 2180 | Fusing Frame | 29 - 17 |
| H310 2181 | Pressure Frame | 27 - 8 |
| H310 2182 | Grounding Plate | 29 - 18 |
| H310 2187 | Thermofuse - 169 ° c | 29 - 5 |
| H310 2188 | Pressure Roller | 27 - 10 |
| H310 2192 | Spring | 27 - 4 |
| H310 2193 | Exit Roller | 27 - 13 |
| H310 2199 | Decalt Fusing | 57 - 6 |
| H310 2199 | Decalt Fusing | 17 - 28 |
| H310 2350 | Decal Aio | 17 - 4 |
| H310 2350 | Decal AIO | 57 - 7 |
| H310 2701 | Shield Glass | 41 - 17 |
| H310 2702 | Laser Protter Unit Sheet | 19 - 7 |
| H310 2705 | Laser Protter Unit | 19 - 1 |
| H310 2714 | Shutter - LD Unit | 19 - 2 |
| H310 3102 | NCU Bracket | 35 - 8 |
| H310 3103 | Shadeing Plate | 35 - 15 |
| H310 3104 | Paper Feed Frame | 43 - 15 |
| H310 3105 | Psu-pp Bracket | 43 - 13 |
| H310 3106 | Bracket Front Cover | 43 - 11 |
| H310 3107 | Right Supporting Plate | 43 - 14 |
| H310 3108 | IC Card Guide | 37 - 18 |
| H310 3110 | Left Cover | 17 - 29 |
| H310 3111 | PFU Connector Bracket | 35 - 7 |
| H310 3112 | Plate | 37 - 17 |
| H310 3113 | Supporting Plate | 43 - 6 |
| H310 3114 | Supporting Plate | 43 - 12 |
| H310 3115 | Frame | 41 - 18 |
| H310 3116 | Fan Duct | 35 - 3 |
| H310 3118 | Rear Supporting Plate | 43 - 8 |
| H310 3120 | Supporting Plate Stay | 41 - 2 |
| H310 3121 | Angle Stay | 41 - 1 |
| H310 3122 | Operation Panel Bracket | 37 - 8 |

| Part No. | Description | Page and Index No. |
|-----------|------------------------|--------------------|
| H310 3123 | Front Supporting Plate | 43 - 7 |
| H310 3124 | Rear Supporting Plate | 43 - 10 |
| H310 3125 | Interlock Switch Cover | 37 - 6 |
| H310 3130 | Fan Duct Shield | 35 - 6 |
| H310 3131 | Fan Duct Shield | 35 - 4 |
| H310 3158 | Scanner Lower Shield | 41 - 3 |
| H310 3159 | Scanner Lower Shield | 35 - 1 |
| H310 3159 | Scanner Lower Shield | 41 - 4 |
| H310 3160 | Scanner Lower Shield | 41 - 5 |
| H310 3161 | Scanner Lower Shield | 41 - 6 |
| H310 3162 | RSB Shield | 43 - 26 |
| H310 3163 | RSB Shield | 43 - 25 |
| H310 3165 | Fusing Upper Sheet | 41 - 8 |
| H310 3301 | Lower Front Stay | 43 - 23 |
| H310 3302 | Lower Rear Stay | 43 - 21 |
| H310 3303 | Front Left Channel | 43 - 1 |
| H310 3304 | Upper Front Stay | 43 - 2 |
| H310 3305 | Right Side Plate | 43 - 22 |
| H310 3307 | Paper Tray Rail | 43 - 18 |
| H310 3308 | Guide Plate | 25 - 10 |
| H310 3309 | Transport Cover | 25 - 1 |
| H310 3310 | Rear Side Plate | 43 - 20 |
| H310 3311 | Front Cover Bracket | 25 - 8 |
| H310 3313 | Rear Cover Bracket | 25 - 3 |
| H310 3315 | Transport Roller | 23 - 13 |
| H310 3317 | Feed Shaft | 23 - 25 |
| H310 3318 | Registration Roller | 23 - 7 |
| H310 3319 | Guide Plate | 23 - 5 |
| H310 3320 | Gear - Z31 | 33 - 10 |
| H310 3321 | Registration Bracket | 33 - 15 |
| H310 3324 | Stepper Motor Bracket | 33 - 5 |
| H310 3326 | Gear - 79Z/15Z | 33 - 6 |
| H310 3327 | Gear - 19Z | 33 - 7 |
| H310 3328 | Spring | 33 - 4 |
| H310 3329 | Magnetic Clutch Stay | 33 - 1 |

| Part No. | Description | Page and Index No. |
|-----------|-------------------------------|--------------------|
| H310 3331 | Spacer | 33 - 14 |
| H310 3335 | Magnetic Clutch Spacer | 33 - 20 |
| H310 3336 | Paper Feed Roller Arm - Rear | 23 - 34 |
| H310 3337 | Magnetic Clutch Stopper | 33 - 13 |
| H310 3338 | Paper Feed Roller Arm - Front | 23 - 38 |
| H310 3340 | Paper Feed Roller Shaft | 23 - 27 |
| H310 3341 | Sub Paper Feed Roller | 23 - 31 |
| H310 3347 | Power Cord Bracket | 43 - 16 |
| H310 3348 | Spacer | 21 - 12 |
| H310 3351 | Paper Tray Cover | 21 - 1 |
| H310 3356 | Spring Plate | 25 - 6 |
| H310 3357 | Decal - Side Fence | 21 - 20 |
| H310 3357 | Decal - Side Fence | 57 - 8 |
| H310 3358 | Decal - DLT | 21 - 30 |
| H310 3358 | Decal - Dlt | 57 - 9 |
| H310 3359 | Decal Paper Level | 21 - 2 |
| H310 3359 | Decal Paper Level | 57 - 10 |
| H310 3360 | Paper Set Direction Decal | 57 - 11 |
| H310 3360 | Paper Set Direction Decal | 21 - 25 |
| H310 3362 | Paper Size Sensor Board | 21 - 3 |
| H310 3365 | Spring Plate | 21 - 27 |
| H310 3367 | Slide Rail | 43 - 5 |
| H310 3368 | Paper End Sensor Baracket | 23 - 28 |
| H310 3369 | Motor Bracket | 33 - 18 |
| H310 3371 | Paper Level Front Cover | 37 - 3 |
| H310 3372 | Paper Feedstay | 43 - 3 |
| H310 3373 | Paper Tray | 21 - 26 |
| H310 3374 | Registration Lower Film | 23 - 17 |
| H310 3375 | Bracket | 43 - 28 |
| H310 3376 | Separation Hook - Front | 21 - 5 |
| H310 3377 | Separation Hook - Rear | 21 - 19 |
| H310 3378 | Bottom Plate | 21 - 10 |
| H310 3420 | Guide Plate Stopper | 43 - 29 |
| H310 3640 | Spacer | 31 - 11 |
| H310 3906 | OPIF Bracket | 39 - 2 |

| Part No. | Description | Page and Index No. |
|-----------|------------------------------|--------------------|
| H310 3907 | OPIF Cover | 39 - 1 |
| H310 3908 | Connector Bracket | 39 - 6 |
| H310 3909 | Connector Bracket Plate | 39 - 5 |
| H310 3911 | Jpeg Board Bracket | 39 - 11 |
| H310 3912 | NIC Board Bracket | 39 - 9 |
| H310 3925 | Insulating Sheet | 39 - 3 |
| H310 3931 | Ground Plate | 39 - 15 |
| H310 3933 | Earth Clip | 39 - 16 |
| H310 3934 | OPIF Strip1 | 39 - 4 |
| H310 3935 | OPIF Strip2 | 39 - 13 |
| H310 3936 | Insulating Sheet | 39 - 14 |
| H310 4153 | Front Upper Cover | 3 - 3 |
| H310 4156 | ADF Front Cover | 3 - 6 |
| H310 4157 | ADF Rear Cover | 3 - 8 |
| H310 4158 | IC Card Cover | 3 - 18 |
| H310 4159 | Left Lower Cover | 3 - 2 |
| H310 4160 | Paper Feed Cover | 3 - 19 |
| H310 4161 | Tray | 3 - 16 |
| H310 4162 | Power Cord Cover | 35 - 20 |
| H310 4165 | Display Cover | 3 - 5 |
| H310 4168 | Rear Grip Cover | 3 - 15 |
| H310 4171 | Lock Lever Button | 17 - 2 |
| H310 4172 | Rear Cover (H310) | 3 - 14 |
| H310 4173 | Upper Cover | 3 - 13 |
| H310 4174 | Right Cover | 3 - 17 |
| H310 4175 | Left Upper Cover | 3 - 7 |
| H310 4181 | Cover:front | 3 - 1 |
| H310 4190 | Manual Feed Cover | 17 - 1 |
| H310 4401 | Operation Panel Ass'y (H310) | 5 - 1 |
| H310 4421 | Upper Cover | 5 - 13 |
| H310 4422 | Keytop - Start | 5 - 28 |
| H310 4423 | Keytop - Copy | 5 - 26 |
| H310 4425 | Keytop - Clear | 5 - 22 |
| H310 4426 | Keytop - LCD | 5 - 23 |
| H310 4427 | Keytop - Ini | 5 - 21 |

| Part No. | Description | Page and Index No. |
|-----------|--------------------------------|--------------------|
| H310 4428 | Keytop - Reset Switch | 5 - 25 |
| H310 4429 | Keytop - Function | 5 - 17 |
| H310 4430 | Keytop - Mode Select | 5 - 18 |
| H310 4431 | Keytop - Dial | 5 - 19 |
| H310 4432 | Quick Dial Plate 1 | 5 - 3 |
| H310 4433 | Quick Dial Plate 2 | 5 - 5 |
| H310 4434 | Quick Dial Plate 3 | 5 - 7 |
| H310 4435 | Pin Quick Dial | 5 - 14 |
| H310 4436 | Keytop - Stop | 5 - 27 |
| H310 4437 | Shaft Cover | 5 - 15 |
| H310 4438 | Quick Dial Plate Shaft | 5 - 16 |
| H310 4442 | Sheet LCD | 5 - 11 |
| H310 4443 | Dial Sheet 1 | 5 - 8 |
| H310 4444 | Dial Sheet 2 | 5 - 6 |
| H310 4445 | Dial Sheet 3 | 5 - 4 |
| H310 4446 | Dial Sheet 4 | 5 - 2 |
| H310 4451 | Keytop-10key | 5 - 24 |
| H310 4453 | 10key Decal | 57 - 12 |
| H310 4453 | 10key Decal | 5 - 12 |
| H310 4454 | Sheet - Operation Panel (H310) | 5 - 10 |
| H310 4455 | Sheet - Operation Panel (H311) | 5 - 10 |
| H310 4456 | Label - Qwerty | 5 - 9 |
| H310 4458 | Label - ABC | 5 - 9 |
| H310 5000 | Power Supply Unit | 35 - 17 |
| H310 5010 | LCD | 5 - 20 |
| H310 5041 | Stepper Motor | 33 - 2 |
| H310 5043 | Magnetic Clutch | 33 - 3 |
| H310 5060 | Stepper Motor | 13 - 32 |
| H310 5070 | Brushless Motor - DC24V 20W | 31 - 9 |
| H310 5071 | Micro Switch V-5F936DH | 37 - 7 |
| H310 5072 | Toner End Sensor | 23 - 18 |
| H310 5073 | Speaker | 37 - 1 |
| H310 5074 | Fan Motor | 35 - 2 |
| H310 5150 | Ground Wire R1 Roller | 15 - 17 |
| H310 5165 | Groundinh Wire | 17 - 16 |

| Part No. | Description | Page and Index No. |
|-----------|------------------------------|--------------------|
| H310 5201 | PSU Harness 1 | 35 - 22 |
| H310 5202 | PSU Harness 2 | 35 - 23 |
| H310 5204 | RSB-SCN Harness | 15 - 9 |
| H310 5205 | RSB-ADF Harness 1 | 9 - 23 |
| H310 5206 | RSB-ADF Harness 2 | 9 - 9 |
| H310 5207 | RSB-paper Feed Harness 1 | 37 - 19 |
| H310 5208 | RSB-paper Feed Harness 2 | 23 - 42 |
| H310 5210 | RSB Harness | 37 - 22 |
| H310 5214 | AIO Harness | 37 - 20 |
| H310 5215 | TRS Sensor Harness | 23 - 44 |
| H310 5216 | Fusing Unit Harness | 37 - 11 |
| H310 5217 | LDDR Harness | 37 - 21 |
| H310 5220 | OPU Harness | 37 - 25 |
| H310 5221 | CIS Harness | 37 - 23 |
| H310 5231 | Interlock Switch Harness | 37 - 5 |
| H310 5232 | ADF Motor Harness | 37 - 24 |
| H310 5232 | ADF Motor Harness | 13 - 27 |
| H310 5233 | Paper Feed Motor Harness | 33 - 16 |
| H310 5234 | Pp Harness | 35 - 26 |
| H310 5235 | Main Motor Harness | 31 - 10 |
| H310 5236 | Polygon Mirror Motor Harness | 19 - 12 |
| H310 5238 | Fan Motor Harness | 35 - 24 |
| H310 5251 | PFU Harness | 35 - 25 |
| H310 5254 | Manual Feed Harness | 35 - 27 |
| H310 5271 | Paper Feed Relay Harnes | 23 - 43 |
| H310 5272 | Registration Relay Sensor | 23 - 41 |
| H310 5273 | NCU Harness | 35 - 28 |
| H310 5275 | Cis Relay Harness | 15 - 10 |
| H310 5296 | Power Cord | 35 - 21 |
| H310 6010 | OPIF Board | 39 - 7 |
| H310 6017 | FCU Board | 53 - * |
| H310 6017 | FCU Board | 37 - 14 |
| H310 6053 | Operation Panel Board | 5 - 29 |
| H310 6058 | SLB Board | 9 - 35 |
| H310 6090 | RSB Board | 37 - 12 |

| Part No. | Description | Page and Index No. |
|-----------|---------------------------|--------------------|
| H310 6100 | MBU Board | 37 - 13 |
| H310 6130 | Jpu Board | 39 - 10 |
| H310 7101 | LSI KVPL RL 5C354 | 53 - 1 |
| H310 7247 | High Voltage Line Harness | 35 - 9 |
| H310 7247 | High Voltage Line Harness | 17 - 18 |
| H310 8400 | Handset Bracket | 3 - 21 |

| Part No. | Description | Page and Index No. |
|-----------|--------------------------------|--------------------|
| A048 2838 | Nylon Rivet | 21 - 11 |
| A134 2978 | Spring Plate | 21 - 7 |
| A232 5310 | Laser Sync. Detector | 19 - 10 |
| A250 4183 | Sprong Plate - Inner | 29 - 23 |
| A250 4184 | Spring Plate - Outer | 29 - 25 |
| A250 5730 | Power Pack - Bct | 35 - 12 |
| B404 3861 | SG3 Decal | 21 - 29 |
| B404 3861 | SG3 Decal | 57 - 1 |
| B516 1100 | Front Bracket | 43 - 24 |
| G020 2620 | Push Switch - Paper Size | 37 - 4 |
| G020 2772 | By-pass Paper End Sensor | 37 - 15 |
| G020 5439 | Harness - Polygon Mirror Motor | 19 - 8 |
| G020 5626 | Push Switch | 25 - 2 |
| G029 1061 | Toner End Sensor Bracket | 23 - 21 |
| G029 1062 | Toner End Sensor Holder | 23 - 19 |
| G029 1081 | Grounding Plate - Drum | 41 - 15 |
| G029 1083 | Grounding Plate | 35 - 16 |
| G029 1089 | Grounding Plate - Charge | 35 - 19 |
| G029 1105 | Gear - C1 | 31 - 8 |
| G029 1108 | Gear - C4 | 31 - 6 |
| G029 1109 | Gear - C5 | 31 - 5 |
| G029 1117 | Gear - C2 | 31 - 7 |
| G029 1119 | Gear - C3 | 31 - 4 |
| G029 1253 | Left Harness Cover - P3 | 17 - 5 |
| G029 1900 | Optical Housing | 19 - 13 |
| G029 1907 | Optical Housing Cover | 19 - 4 |
| G029 1982 | LD - Decal | 57 - 2 |
| G029 1982 | LD - Decal | 19 - 6 |
| G029 3854 | Compression Spring | 17 - 26 |
| G029 3861 | Release Spring | 17 - 10 |
| G029 3864 | Discharge Brush Terminal | 17 - 17 |
| G029 3867 | Shutter Cushion | 17 - 12 |
| G029 3950 | Transfer Roller | 17 - 24 |
| G029 3967 | Discharge Brush | 17 - 19 |
| G029 4127 | Grounding Plate 2 | 29 - 7 |

| Part No. | Description | Page and Index No. |
|-----------|-----------------------------|--------------------|
| G029 4131 | Idler Gear - Fusing | 29 - 16 |
| G029 4132 | Idler Gear - Exit | 27 - 15 |
| G029 4139 | Heater Holder | 29 - 8 |
| G029 4143 | Pickoff Pawl Spring | 29 - 13 |
| G029 4145 | Bracket - Idler Ass'y | 29 - 15 |
| G029 4148 | Left Support Plate | 29 - 9 |
| G029 4149 | Right Support Plate | 29 - 14 |
| G029 4158 | Screw - M3X13 | 29 - 19 |
| G029 4185 | Exit Roller Gear | 27 - 14 |
| G029 4198 | Spring Plate - Sub 1 | 29 - 24 |
| G029 4199 | Spring Plate - Sub 2 | 29 - 26 |
| G029 4200 | Drawer Screw | 37 - 10 |
| G030 3858 | Pressure Spring | 17 - 20 |
| G039 1911 | Laser Diode Unit Ass'y | 19 - 3 |
| G039 4171 | Hot Roller Gear | 29 - 3 |
| G039 4176 | HUB | 27 - 7 |
| G697 2558 | Bracket - Feed Clutch Shaft | 43 - 4 |
| G697 2561 | Bushing | 23 - 23 |
| G697 2666 | End Fence Holder | 21 - 22 |
| G697 2669 | Lift Bracket - Bottom Plate | 21 - 13 |
| G800 1217 | Toner End Sensor Spring | 23 - 20 |
| G800 3061 | Driven Regist Roller | 23 - 1 |
| G800 3073 | Upper Seal | 7 - 4 |
| G800 3093 | Compression Spring | 23 - 3 |
| G800 4851 | Bushing | 27 - 12 |
| G800 4854 | Exit Roller | 29 - 21 |
| H004 3755 | Square Bushing | 43 - 27 |
| H006 2316 | Clutch Spacer | 11 - 8 |
| H006 2383 | Snap Ring | 23 - 30 |
| H006 2383 | Snap Ring | 13 - 8 |
| H006 2383 | Snap Ring | 9 - 21 |
| H210 6185 | NICF Board | 39 - 8 |
| H306 1102 | Exit Feeler Spring | 15 - 2 |
| H306 1105 | Base Cover Bracket | 15 - 3 |
| H306 1115 | Scanner Stopper Bracket | 7 - 1 |

| Part No. | Description | Page and Index No. |
|-----------|--------------------------|--------------------|
| H306 1261 | Contact Point Bushing | 11 - 23 |
| H306 1262 | Front Cover Sheet | 7 - 19 |
| H306 1263 | Rear Cover Sheet | 7 - 20 |
| H306 1264 | S1 Feeler | 7 - 17 |
| H306 1265 | Paper Size Sensor Feeler | 7 - 16 |
| H306 1266 | Un Lock Spring | 13 - 12 |
| H306 1268 | R0 Sheet | 7 - 18 |
| H306 1271 | Front Release Spring | 13 - 11 |
| H306 1272 | Rear Release Spring | 13 - 18 |
| H306 1273 | Separation Bracket | 9 - 20 |
| H306 1274 | Feed Bracket | 11 - 11 |
| H306 1275 | Reverse Roller Shaft | 9 - 19 |
| H306 1276 | Pickup Roller Shaft | 11 - 17 |
| H306 1277 | Spring Plate | 13 - 3 |
| H306 1278 | Discharge Brush | 13 - 1 |
| H306 1279 | Grounding Wire | 13 - 19 |
| H306 1282 | Separation Cover Stopper | 11 - 7 |
| H306 1283 | Original Tray Gear | 11 - 21 |
| H306 1285 | Reverse Roller Holder | 9 - 17 |
| H306 1286 | S2 Feeler | 9 - 11 |
| H306 1287 | S2 Bracket | 9 - 13 |
| H306 1288 | Clutch Roller | 11 - 20 |
| H306 1292 | Pickup Roller | 11 - 16 |
| H306 1293 | Reverse Roller | 9 - 18 |
| H306 1294 | R0 Roller | 9 - 14 |
| H306 1295 | R1 Roller | 13 - 6 |
| H306 1296 | Exit Roller | 13 - 10 |
| H306 1297 | Front Lock Cover | 9 - 32 |
| H306 1298 | Rear Lock Cover | 9 - 33 |
| H306 1299 | Lock Spring Plate | 9 - 31 |
| H306 1309 | ADF Lower Guide | 13 - 2 |
| H306 1315 | Pressure Reverse Spring | 13 - 17 |
| H306 1316 | Original Guide Sheet | 11 - 3 |
| H306 1317 | Cover Magnet | 7 - 14 |
| H306 1318 | Spring Plate - R0 | 7 - 21 |

| Part No. | Description | Page and Index No. |
|-----------|--------------------------------|--------------------|
| H306 1319 | Spring Plate Shield - R0 | 7 - 22 |
| H306 1320 | Pressure Spring | 11 - 12 |
| H306 1321 | Reverse Guide Sheet | 13 - 5 |
| H306 1322 | Reverse Plate Sheet | 13 - 4 |
| H306 1325 | Rear Tightener Sheet | 13 - 23 |
| H306 1327 | Exit Collar | 15 - 25 |
| H306 1329 | Joint Shaft | 9 - 27 |
| H306 1330 | Front Torque Liniter | 9 - 7 |
| H306 1332 | Sheet Guide ADF Lower | 13 - 37 |
| H306 1352 | R1 Pulley | 13 - 20 |
| H306 1353 | Rear Idler Gear | 13 - 24 |
| H306 1354 | Exit Pulley | 13 - 15 |
| H306 1355 | R0 Pulley | 9 - 4 |
| H306 1356 | Front Slow Down Gear | 9 - 6 |
| H306 1357 | Front Drive Gear | 9 - 5 |
| H306 1358 | Rear Drive Gear | 9 - 16 |
| H306 1360 | Slow Down Gear | 13 - 22 |
| H306 1361 | Pickup Idler Gear | 11 - 13 |
| H306 1367 | Spring Plate - Rear Tightener | 13 - 26 |
| H306 1368 | Spring Plate - Front Tightener | 9 - 29 |
| H306 1369 | Drive Shaft | 9 - 15 |
| H306 1370 | Feed Shaft | 11 - 10 |
| H306 1371 | Rear Timing Belt | 13 - 21 |
| H306 1372 | Front Timing Belt | 9 - 3 |
| H306 1373 | Stepper Motor Cushion | 13 - 36 |
| H306 1374 | Bushing - 6x10mm | 13 - 25 |
| H306 1458 | R0 Bracket | 9 - 22 |
| H306 1459 | R1 Bracket | 13 - 16 |
| H306 1475 | Tightener Bracket | 13 - 29 |
| H306 1480 | Motor Bracket | 13 - 31 |
| H306 2097 | Pressure Roller Lever | 27 - 5 |
| H306 2111 | Fusing Grip | 27 - 2 |
| H306 2117 | Grounding Plate | 27 - 11 |
| H306 2137 | Paper Stripper Pawl | 29 - 12 |
| H306 2138 | Stripper Pawl Roller | 29 - 10 |

| Part No. | Description | Page and Index No. |
|-----------|---------------------------------|--------------------|
| H306 2139 | Stripper Pawl Stopper | 29 - 11 |
| H306 2167 | Exit Roller | 29 - 22 |
| H306 2176 | Fusing Entrance Sheet | 27 - 18 |
| H306 2712 | Grounding Wire | 19 - 5 |
| H306 3111 | Lock Lever | 17 - 6 |
| H306 3113 | Lock Lever Shaft | 17 - 8 |
| H306 3114 | Lock Spring | 17 - 30 |
| H306 3122 | Main Drive Housing | 31 - 3 |
| H306 3123 | Terminal Plate - OPC Drum | 41 - 16 |
| H306 3124 | Shutter Arm | 17 - 15 |
| H306 3137 | Rear Registration Guide | 23 - 10 |
| H306 3142 | Duct Sheet | 41 - 13 |
| H306 3143 | Transfer Roller Shutter - A3 | 17 - 13 |
| H306 3144 | Front Lock Guide | 41 - 7 |
| H306 3145 | Rear Lock Guide | 41 - 9 |
| H306 3146 | Registration Scraper | 23 - 9 |
| H306 3148 | Left Spring Cover | 17 - 27 |
| H306 3149 | Lock Button Guide | 17 - 3 |
| H306 3150 | Shutter Spring | 17 - 14 |
| H306 3152 | Lock Guide Pin | 41 - 11 |
| H306 3154 | Duct Shield 1 | 41 - 20 |
| H306 3163 | Insulating Sheet - High Voltage | 35 - 13 |
| H306 3164 | Insulating Sheet - PSU | 35 - 18 |
| H306 3168 | Spring Plate | 43 - 9 |
| H306 3169 | Fan Duct S | 35 - 5 |
| H306 3170 | Fusing Front Shield | 41 - 12 |
| H306 3173 | Fusing Rear Shield | 41 - 14 |
| H306 3174 | Fusing Cover Shield | 29 - 27 |
| H306 3177 | Gear - 30Z | 17 - 22 |
| H306 3178 | Positioning Roller | 17 - 25 |
| H306 3179 | Transfer Spacer Bushing | 17 - 23 |
| H306 3182 | Shutter Release Plate | 17 - 11 |
| H306 3197 | Adjusting Screw | 41 - 10 |
| H306 3218 | Front Supporting Plate | 31 - 1 |
| H306 3235 | Shaft Drive Supporting Plate | 31 - 2 |

| Part No. | Description | Page and Index No. |
|-----------|---------------------------------|--------------------|
| H306 3241 | Lock Lever | 17 - 7 |
| H306 3257 | AIO Sensor Bracket | 37 - 16 |
| H306 3275 | AIO Cap | 41 - 19 |
| H306 3353 | Guide Film 2 | 25 - 12 |
| H306 3356 | Guide Film 1 | 25 - 13 |
| H306 3403 | Registration Sensor Cover | 23 - 14 |
| H306 3404 | Driven Roller Bushing | 23 - 2 |
| H306 3406 | Upper Film | 23 - 4 |
| H306 3408 | Registration Spring | 23 - 8 |
| H306 3421 | Idler Gear 2 | 33 - 9 |
| H306 3435 | Lower Film 2 | 23 - 15 |
| H306 4075 | Operation Panel Bracket | 37 - 9 |
| H306 4712 | Handset Bracket | 3 - 20 |
| H306 5043 | Registration Sensor | 23 - 16 |
| H306 5050 | Original Sensor | 15 - 8 |
| H306 5066 | Heater-115V | 29 - 4 |
| H306 5071 | High Voltage Cord - B | 35 - 11 |
| H306 5072 | High Voltage Cord - C | 35 - 10 |
| H306 5144 | Harness - Connect - NICF | 39 - 12 |
| H311 4110 | NIC Fax Decal | 57 - 13 |
| H311 4110 | NIC Fax Decal | 3 - 4 |
| H311 4112 | Function Decal | 57 - 14 |
| H311 4172 | Rear Cover (H311) | 3 - 14 |
| H311 4401 | Operation Panel Ass'y (H311) | 5 - 1 |
| H511 5005 | Stamper | 15 - 7 |
| H515 2455 | Holder - Transfer Roller - Left | 17 - 21 |
| H515 3543 | E-ring - JRE4 | 23 - 6 |
| H515 3543 | E-ring - JRE4 | 33 - 12 |
| H515 3543 | E-ring - JRE4 | 13 - 7 |
| H515 3544 | E-ring - JR-E6 | 33 - 19 |
| H515 5018 | Cover Switch - Fusing Exit | 9 - 8 |
| H516 1262 | Roller - Belt Tensioning | 13 - 28 |
| H516 1262 | Roller - Belt Tensioning | 9 - 30 |
| H519 1176 | Oil Dunper | 7 - 3 |
| H519 1209 | Pressure Roller | 15 - 15 |

| Part No. | Description | Page and Index No. |
|-----------|------------------------------------|--------------------|
| H519 1212 | Pressure Roller Shaft | 15 - 26 |
| H519 1549 | Front Lock Lever | 13 - 14 |
| H519 1572 | R0 Roller Collar | 7 - 25 |
| H519 1575 | R0 Roller Shaft | 7 - 23 |
| H519 1591 | Pad - Reverse | 9 - 25 |
| H519 1592 | Spring Plate | 9 - 26 |
| H519 1607 | Support Plate - By-pass Feed Table | 7 - 11 |
| H519 1640 | Side Fence Sheet | 7 - 5 |
| H519 1660 | R0 Pressure Roller | 7 - 24 |
| H519 1660 | R0 Pressure Roller | 15 - 24 |
| H519 1665 | Side Fence Rack | 11 - 22 |
| H519 1665 | Side Fence Rack | 7 - 10 |
| H519 3033 | Paper Size Sensor - Rear | 21 - 4 |
| H519 3039 | Rubber Foot | 43 - 19 |
| H519 3050 | Paper Guide | 25 - 11 |
| H519 3507 | Pressure Roller Shaft | 25 - 7 |
| H519 3540 | Spring Plate | 25 - 4 |
| H519 4549 | Paper Tray Holder | 43 - 17 |
| H519 4713 | Collar | 23 - 35 |
| H519 4714 | Timing Pulley - 22Z | 23 - 37 |
| H519 4715 | Timing Belt | 23 - 36 |
| H519 4721 | Upper Guide Plate | 23 - 40 |
| H519 4733 | Paper End Sensor | 23 - 29 |
| H519 4746 | Gear - 16Z | 33 - 8 |
| H519 4755 | DC Motor - DC24V 0.5W | 33 - 17 |
| H519 4777 | Rear Side Fence | 21 - 6 |
| H519 4778 | Front Side Fence | 21 - 21 |
| H519 4779 | Stopper Lever | 21 - 8 |
| H519 4785 | Paper Lift Shaft | 21 - 14 |
| H519 4787 | Paper Level Actuator | 21 - 15 |
| H519 4788 | Grounding Plate | 21 - 18 |
| H519 4790 | End Fence | 21 - 23 |
| H519 4793 | Lever Cushion | 21 - 16 |
| H519 5216 | Magnetic Clutch | 33 - 11 |
| H519 6035 | RIB Board | 37 - 2 |

| Part No. | Description | Page and Index No. |
|-----------|--------------------------------|--------------------|
| H521 1286 | Gear - Feed Roller | 11 - 18 |
| H521 1287 | Gear - Pickup Roller | 11 - 14 |
| H521 1288 | Collar - Pickup | 11 - 15 |
| H521 1290 | Busing | 9 - 28 |
| H521 1314 | Spring Clutch - M6 | 11 - 9 |
| H521 1350 | Pad - Pick-up | 11 - 6 |
| H521 3340 | Pressure Roller - Registration | 25 - 9 |
| H521 3355 | C Ring - Paper Feed Roller | 17 - 9 |
| H523 5003 | Photointerrupter | 15 - 6 |
| H555 7102 | LSI CIOP MICPD65945GD-P10-LML | 53 - 2 |
| H555 7110 | LSI - SCP2A R15A243A | 53 - 3 |

| Part No. | Description | Page and Index No. |
|-----------|-------------------------|--------------------|
| N803 1000 | Card Case | 59 - 2 |
| N803 6701 | Flash Memory Card - 4MB | 59 - 1 |

| Part No. | Description | Page and Index No. |
|-----------|-------------------------------------|--------------------|
| AA06 0665 | Pressure Spring - Feed Roller | 23 - 33 |
| AA06 3390 | Rear Fence Spring | 21 - 24 |
| AA08 2070 | Bushing - 8x16x7 | 23 - 11 |
| AA14 0627 | Drive Shaft - Feed Roller | 23 - 39 |
| AA15 0332 | Seal - 0.19x18x22 | 19 - 11 |
| AB01 0103 | Relay Gear | 23 - 24 |
| AB01 0104 | Gear - 24Z | 23 - 26 |
| AB01 3492 | Gear - 16Z | 7 - 12 |
| AB01 3868 | Gear - 16Z | 21 - 17 |
| AE03 0041 | Ball Bearing -20x32x7 | 29 - 2 |
| AF01 3015 | Friction Pad | 21 - 9 |
| AF03 1033 | Paper Feed Roller | 23 - 32 |
| AG07 0014 | Magnet Catch | 25 - 5 |
| AW02 0119 | Photointerruptor - LG-2481 | 23 - 22 |
| AW02 0119 | Photointerruptor - LG-2481 | 9 - 12 |
| AX06 0181 | Polygon Mirror Motor - RP2 - DC 17W | 19 - 9 |
| GA00 3035 | Energy Decal | 21 - 28 |
| GA00 3035 | Energy Decal | 57 - 3 |

| Part No. | Description | Page and Index No. |
|------------|--------------------------------|--------------------|
| 0450 3006B | Tapping Screw - M3x6 | 11 -101 |
| 0450 3006B | Tapping Screw - M3x6 | 7 -102 |
| 0450 3008B | Tapping Screw - M3x8 | 25 -102 |
| 0450 3008B | Tapping Screw - M3x8 | 29 -104 |
| 0450 3008B | Tapping Screw - M3x8 | 31 -101 |
| 0450 3008B | Tapping Screw - M3x8 | 21 -104 |
| 0450 3008B | Tapping Screw - M3x8 | 35 -101 |
| 0450 3008B | Tapping Screw - M3x8 | 19 -101 |
| 0450 3008B | Tapping Screw - M3x8 | 17 -101 |
| 0450 3008B | Tapping Screw - M3x8 | 15 -101 |
| 0450 3008B | Tapping Screw - M3x8 | 37 -103 |
| 0450 3008B | Tapping Screw - M3x8 | 13 -102 |
| 0450 3008B | Tapping Screw - M3x8 | 41 -101 |
| 0450 3008B | Tapping Screw - M3x8 | 11 -102 |
| 0450 3008B | Tapping Screw - M3x8 | 27 -101 |
| 0450 3008B | Tapping Screw - M3x8 | 3 -103 |
| 0450 3008B | Tapping Screw - M3x8 | 5 -102 |
| 0450 3008B | Tapping Screw - M3x8 | 9 -103 |
| 0450 3008B | Tapping Screw - M3x8 | 7 -103 |
| 0450 3008H | Tapping Screw - M3x8 | 3 -102 |
| 0450 3010B | Tapping Screw - M3x10 | 15 -102 |
| 0450 3010B | Tapping Screw - M3x10 | 27 -105 |
| 0450 3010B | Tapping Screw - M3x10 | 31 -102 |
| 0450 3012B | Tapping Screw - 3x12 | 29 -102 |
| 0450 3012B | Tapping Screw - 3x12 | 19 -104 |
| 0450 3014B | Tapping Screw - M3x14 | 27 -104 |
| 0450 3016B | Tapping Screw - M3x16 | 37 -102 |
| 0450 4008B | Tapping Screw - 4x8 | 41 -102 |
| 0450 4008B | Tapping Screw - 4x8 | 21 -103 |
| 0450 4010B | Tapping Screw - 4x10 | 33 -103 |
| 0450 4010B | Tapping Screw - 4x10 | 31 -103 |
| 0450 4010B | Tapping Screw - 4x10 | 43 -101 |
| 0450 4035B | Phillips Tapping Screw - M4x35 | 35 -102 |
| 0451 3006B | Tapping Screw - M3x6 | 9 -101 |
| 0451 3006B | Tapping Screw - M3x6 | 41 -103 |

| Part No. | Description | Page and Index No. |
|------------|----------------------------------|--------------------|
| 0451 3006B | Tapping Screw - M3x6 | 25 -101 |
| 0451 3006B | Tapping Screw - M3x6 | 23 -104 |
| 0451 3006B | Tapping Screw - M3x6 | 21 -105 |
| 0451 3006B | Tapping Screw - M3x6 | 13 -101 |
| 0451 3006B | Tapping Screw - M3x6 | 7 -106 |
| 0451 3006B | Tapping Screw - M3x6 | 39 -101 |
| 0451 3006B | Tapping Screw - M3x6 | 15 -103 |
| 0451 3006B | Tapping Screw - M3x6 | 35 -103 |
| 0451 3006B | Tapping Screw - M3x6 | 33 -102 |
| 0451 3006B | Tapping Screw - M3x6 | 37 -104 |
| 0451 3006B | Tapping Screw - M3x6 | 43 -102 |
| 0451 3008B | Tapping Screw - M3x8 | 41 -104 |
| 0451 3008H | Tapping Screw - M3x8 | 11 -106 |
| 0451 3008H | Tapping Screw - M3x8 | 3 -101 |
| 0451 3010B | Tapping Screw - M3x10 | 43 -103 |
| 0451 4008B | Philips Tapping Screw - M4x8 | 41 -105 |
| 0451 4008B | Philips Tapping Screw - M4x8 | 31 -104 |
| 0451 4008B | Philips Tapping Screw - M4x8 | 43 -109 |
| 0451 4008B | Philips Tapping Screw - M4x8 | 21 -102 |
| 0452 3008B | Tapping Screw - M3x8 | 19 -103 |
| 0452 3008B | Tapping Screw - M3x8 | 7 -105 |
| 0452 3010B | Tapping Bind Screw - M3x10 | 19 -102 |
| 0452 3010H | Tapping Screw - M3x10 | 5 -101 |
| 0453 3006B | Tapping Screw - M3x6 | 33 -101 |
| 0453 3006B | Tapping Screw - M3x6 | 37 -105 |
| 0720 0030E | Retaining Ring - M3 | 11 -103 |
| 0720 0040E | Retaining Ring - M4 | 27 -102 |
| 0720 0040E | Retaining Ring - M4 | 11 -104 |
| 0720 0060E | Retaining Ring - M6 | 23 -102 |
| 0720 0060E | Retaining Ring - M6 | 21 -101 |
| 0725 0200E | Retaining Ring C - M20 | 29 -103 |
| 0802 5276 | Tapping Screw With Washer - M3x6 | 41 -106 |
| 0802 5276 | Tapping Screw With Washer - M3x6 | 43 -104 |
| 0805 3386 | Bushing - 8mm | 33 -104 |
| 0805 3386 | Bushing - 8mm | 23 -103 |

| Part No. | Description | Page and Index No. |
|------------|---------------------------------------|--------------------|
| 0805 3480 | Bushing - 6mm | 23 -101 |
| 0805 3480 | Bushing - 6mm | 33 -106 |
| 0805 3480 | Bushing - 6mm | 13 -107 |
| 0805 3480 | Bushing - 6mm | 11 -105 |
| 0805 3480 | Bushing - 6mm | 9 -102 |
| 0805 3507 | Bushing - 6mm | 27 -103 |
| 0807 4069 | Washer - 6.2x12x0.4mm | 7 -104 |
| 0807 5013 | Flat Washer - M8.4 | 23 -105 |
| 0950 3008B | Sem,s Screw - M3x8 | 29 -101 |
| 0951 3004B | Philips Screw With Flat Washer - M3x4 | 13 -105 |
| 0951 3006 | Philips Screw With Flat Washer M3x6 | 17 -102 |
| 0951 3006 | Philips Screw With Flat Washer M3x6 | 13 -106 |
| 0954 3006B | Screw - M3X6 | 35 -104 |
| 0954 3008B | Philips Screw - M3x8 | 29 -105 |
| 0954 4006B | Screw - M4X6 | 35 -105 |
| 1102 4201 | Connector - 2P | 53 -101 |
| 1102 4205 | CT Header - 6P | 53 -102 |
| 1102 4206 | Connector - 7P | 53 -103 |
| 1102 4208 | Connector - 9P | 53 -104 |
| 1102 4209 | CT Header - 10P | 53 -105 |
| 1102 4211 | CT Header - 12P | 53 -106 |
| 1102 4212 | CT Header - 15P | 53 -107 |
| 1102 4620 | CT Header - 3P | 53 -108 |
| 1102 4626 | Connector - 9P | 53 -109 |
| 1102 4627 | Connector - 10P | 53 -110 |
| 1102 4629 | Connector - 12P | 53 -111 |
| 1102 4631 | CT Connector - 2P | 53 -112 |
| 1102 4635 | Connector - 6P | 53 -113 |
| 1102 4638 | Perpendicular - 9P | 53 -114 |
| 1102 4639 | CT Connector - 10P | 53 -115 |
| 1102 4640 | Connector - 11P | 53 -116 |
| 1102 4646 | Connector - 5P | 53 -117 |
| 1102 4647 | Connector - 6P | 53 -118 |
| 1102 4651 | Connector - 10P | 53 -119 |
| 1102 5007 | CT Header - 14P | 45 -101 |

| Part No. | Description | Page and Index No. |
|-----------|----------------------------------|--------------------|
| 1102 5605 | Connector - 13P | 53 -120 |
| 1102 5844 | Connector - 5566-02A | 53 -121 |
| 1102 5944 | Connector - 3P | 53 -122 |
| 1102 6789 | Connector - 100P | 53 -123 |
| 1102 7029 | Connector - 8p - 53375-0810 | 53 -124 |
| 1102 7093 | Connector - 53375-0610 | 53 -125 |
| 1102 7604 | Connector - 52830-6245 | 45 -102 |
| 1102 8153 | Connector - FCN-568P068-G/05A-V4 | 53 -126 |
| 1102 9042 | Connector - DIMM SX6-144-0.8SH2 | 53 -127 |
| 1102 9043 | Connector - TX24-30R-6ST-N1 | 53 -128 |
| 1104 0730 | Short Pin - 2P | 53 -129 |
| 1105 0109 | Cord Keep | 19 -105 |
| 1105 0113 | Edge - P108 | 43 -106 |
| 1105 0229 | Clamp | 43 -113 |
| 1105 0344 | Clamp | 43 -112 |
| 1105 0344 | Clamp | 13 -103 |
| 1105 0348 | Clamp | 43 -105 |
| 1105 0348 | Clamp | 37 -101 |
| 1105 0350 | Wire Saddle - 1m | 19 -106 |
| 1105 0350 | Wire Saddle - 1M | 39 -102 |
| 1105 0368 | Clump - Mn-2 | 19 -107 |
| 1105 0409 | Card Spacer- 6.4mm | 35 -107 |
| 1105 0460 | Clamp | 13 -104 |
| 1105 0460 | Clamp | 7 -101 |
| 1105 0487 | Harness Clamp | 39 -103 |
| 1105 0487 | Harness Clamp | 41 -107 |
| 1105 0487 | Harness Clamp | 31 -105 |
| 1105 0487 | Harness Clamp | 43 -107 |
| 1105 0488 | Harness Clamp | 35 -106 |
| 1105 0488 | Harness Clamp | 43 -110 |
| 1105 0489 | Harness Clamp - LWS 1316 | 43 -108 |
| 1105 0489 | Harness Clamp - LWS 1316 | 33 -105 |
| 1105 0489 | Harness Clamp - LWS 1316 | 35 -108 |
| 1105 0490 | Harness Clamp - IWS-2218 | 43 -111 |
| 1107 0605 | Fuse - 250V/1A | 53 -130 |

| Part No. | Description | Page and Index No. |
|-----------|------------------------------|--------------------|
| 1107 0622 | Fuse - 3.15A 250V | 53 -131 |
| 1206 0081 | Lithium Battery - MI2430-HJ1 | 53 -132 |
| 1208 1467 | Relay - NA-5W-K | 45 -103 |
| 1400 0587 | Transistor - DTD123TK | 53 -133 |
| 1400 0663 | Transistor - 2SA1037AK | 53 -134 |
| 1400 0769 | Transistor - 2SA1576A | 53 -135 |
| 1400 0775 | Transistor - 2SC4081 | 53 -136 |
| 1400 0796 | Transistor - UMH10N | 53 -137 |
| 1400 0801 | Transistor - DTC113ZUA | 53 -138 |
| 1400 0826 | Transistor - 2SA1776 | 45 -104 |
| 1400 0833 | Transistor - UMX3N | 53 -139 |
| 1400 0863 | Transistor - UMD6N | 53 -140 |
| 1400 0872 | Transistor - UMZ1N | 53 -141 |
| 1400 0885 | Transistor - 2SC4505Q | 45 -105 |
| 1400 0902 | Transistor - DTA113ZUA | 53 -142 |
| 1400 0918 | Transistor - DTC123JUA | 53 -143 |
| 1401 0821 | Diode - 1SS133 | 45 -106 |
| 1401 1056 | Fet - 2SK2158 | 53 -144 |
| 1401 1136 | Fet - HAT1020R | 53 -145 |
| 1401 1142 | Fet - 2SJ477-01MR | 53 -146 |
| 1402 1296 | Zener Diode - HZ3C1 | 53 -147 |
| 1402 1322 | Diode Array - DAN202U | 53 -148 |
| 1402 1336 | Diode - 1SS355 | 53 -149 |
| 1402 1337 | Diode - RB731U | 53 -150 |
| 1402 1343 | Diode - RB106L-40 | 53 -151 |
| 1402 1499 | Diode UDZS5.1B | 53 -152 |
| 1402 1584 | Diode - DAN217U | 53 -153 |
| 1402 1607 | Diode - S1NB60 | 45 -107 |
| 1403 0598 | Photo Coupler - PS2501-2 | 45 -108 |
| 1403 0620 | Photo Coupler | 45 -109 |
| 1403 0812 | Photocoupler - PS2532-1-V | 45 -110 |
| 1404 0129 | Varistor - VR - 63B | 45 -111 |
| 1404 0276 | Varistor - TNR9G331K | 45 -112 |
| 1404 0283 | Varistor - TNR9G431K | 45 -113 |
| 1404 0989 | Varistor - TNR7V121K | 45 -114 |

| Part No. | Description | Page and Index No. |
|-----------|---------------------------------|--------------------|
| 1407 2219 | IC - TD62003AP | 53 -154 |
| 1407 3124 | IC - TA7291AS | 53 -155 |
| 1407 3357 | Comparator - BA10393F | 53 -156 |
| 1407 5127 | IC - SLA7033M | 53 -157 |
| 1407 5128 | IC - SLA7032M | 53 -158 |
| 1407 5174 | CMOS - SN74LVC04APW | 53 -159 |
| 1407 5315 | CMOS - LOGIC TC7WH74FK | 53 -160 |
| 1407 5349 | IC - SN74LV4066APW | 53 -161 |
| 1407 5369 | IC - SN74AHCT32PW | 53 -162 |
| 1407 5400 | Clock Generator MK1714-01R | 53 -163 |
| 1407 5464 | IC - SN74LV4051APW | 53 -164 |
| 1407 5519 | IC - SN74AHCT245PW | 53 -165 |
| 1407 5659 | IC - RL5T882SB | 53 -166 |
| 1407 5695 | Modem IC - MN195006-D | 53 -167 |
| 1408 1290 | Regulator - TA7805S | 53 -168 |
| 1408 1295 | IC - UPC2933T | 53 -169 |
| 1408 1504 | Amplifier - NJM2113M | 53 -170 |
| 1408 1550 | IC - LM2902PW | 53 -171 |
| 1408 1555 | Regulator - L1087MP-3.3 | 53 -172 |
| 1408 1653 | Opeamp - LMV324IPW | 53 -173 |
| 1408 1688 | IC - RN5RK | 53 -174 |
| 1503 0460 | Oscillator - 32.768KHZ | 53 -175 |
| 1503 1066 | Crystal Oscillator - 24.576MHZ | 53 -176 |
| 1503 1105 | Crystal Oscillator - 15.9744MHZ | 53 -177 |
| 1600 1334 | Resistor - 220Ω ±5% 2W | 53 -178 |
| 1600 1418 | Resistor - 1.0Ω 1W | 53 -179 |
| 1601 1811 | Resistor - 470Ω ±5% | 53 -180 |
| 1601 5395 | Resistor - 18Ω ±5% 1/2W | 45 -115 |
| 1601 5470 | Resistor - 1K Ω ±5% 1W | 53 -181 |
| 1601 5500 | Resistor - 0.68Ω ±5% 1W | 53 -182 |
| 1601 5549 | Resistor - 47Ω ±5% 2W | 53 -183 |
| 1601 5556 | Resistor - 430Ω ±5% 2W | 53 -184 |
| 1601 7750 | Resistor - 22K Ω ±5.00% | 53 -185 |
| 1601 7751 | Resistor - 4.7KΩ ±5% | 53 -186 |
| 1601 7752 | Resistor Array - 10K Ω ±5% | 53 -187 |

| Part No. | Description | Page and Index No. |
|-----------|--------------------------------------|--------------------|
| 1601 7796 | Resistor Array - 2.2KO | 53 -188 |
| 1601 7867 | Resistor - 33 Ω ±5% 1/16W | 53 -189 |
| 1601 7871 | Resistor - 68Ω ±5% 1/16W | 53 -190 |
| 1601 7893 | Resistor Array - 470 Ω ±5% 1/16W | 53 -191 |
| 1601 7915 | Resistor Array - 33 Ω ±5% 1/16W | 53 -192 |
| 1601 7919 | Resistor - 10KΩ ±5% 1/16W 8 | 53 -193 |
| 1601 7920 | Resistor - 3.3KΩ ±5% 1/16W | 53 -194 |
| 1601 7926 | Resistor - 68 Ω ±5% 1/16W 8 | 53 -195 |
| 1604 4802 | Capacitor - 330μF ±20% 35V | 53 -196 |
| 1605 0976 | Capacitor - 1μF +80% -20% 10V | 53 -197 |
| 1605 1136 | Ceramic Capacitor - 33000pF ±10% 2 | 53 -198 |
| 1605 1148 | Capacitor - 0.1μF +80-20% 50V | 53 -199 |
| 1605 1167 | Capacitor - 0.22μF ±10% 10V | 53 -200 |
| 1605 1190 | Ceramic Capacitor - 0.022μF ±10% 50V | 53 -201 |
| 1606 2161 | Capacitor - 0.47μF±10%250V | 45 -116 |
| 1607 0069 | Fuse - BL02RN2-R62-PB | 45 -117 |
| 1607 0396 | Choke - SBT-0180W | 45 -118 |
| 1607 0576 | Sleeve Core - Sfc-8 | 39 -104 |
| 1607 0789 | Inductor - BLM11A221SPB | 53 -202 |
| 1607 0824 | Filter - BLM11A601SPB | 53 -203 |
| 1607 0973 | Inductor - BLM11A121SPB | 53 -204 |
| 1607 1040 | Filter - ACB1608M-120 | 53 -205 |
| 1607 1061 | Filter - BLM11P300SPB | 53 -206 |
| 1607 1196 | Inductor -220uh ±20% 0.33A | 53 -207 |
| 1607 1266 | Inductor - TSL0808-100K2R6 | 53 -208 |
| 1607 1343 | Filter - BLM18BD221SN1B | 53 -209 |
| 1607 1387 | Filter - BLM18BB600SN1B | 53 -210 |
| 1607 1396 | Transformer - FLT319 | 45 -119 |
| 1611 8473 | Resistor - 47KΩ ±5% 1/4W | 45 -120 |
| 1633 0000 | Resistor - 0 Ω 1/10W | 53 -211 |
| 1634 0000 | Resistor - 0 Ω 1/16W | 53 -212 |
| 1640 5220 | Capacitor - 22μF ±20% 50V | 45 -121 |
| 1640 5229 | Capacitor - 2.2μF ±20% 50V | 45 -122 |
| 1642 0101 | Capacitor - 100μF ±20% 50V | 53 -213 |
| 1642 0221 | Capacitor - 220 μF ±20% 10V | 53 -214 |

| Part No. | Description | Page and Index No. |
|-----------|--|--------------------|
| 1642 0330 | Capacitor - 33 μ F \pm 20% 10V | 53 -215 |
| 1642 0470 | Capacitor - 47 μ F \pm 20% 10V | 53 -216 |
| 1642 2100 | Capacitor - 10 μ F \pm 20% 25V | 53 -217 |
| 1642 3470 | Capacitor - 47 μ F \pm 20% 35V | 53 -218 |
| 1650 3101 | Resistor - 100 Ω \pm 5%1/8W | 53 -219 |
| 1650 3151 | Resistor - 150 Ω \pm 5%1/8W | 53 -220 |
| 1650 3201 | Resistor - 200 Ω \pm 5% 1/8W | 53 -221 |
| 1650 3391 | Resistor - 390 Ω \pm 5% 1/8W | 53 -222 |
| 1650 3471 | Resistor - 470 Ω \pm 5%1/8W | 53 -223 |
| 1650 3561 | Resistor - 560 Ω \pm 5% 1/8W | 53 -224 |
| 1650 4100 | Resistor - 10 Ω \pm 5% 1/10W | 53 -225 |
| 1650 4101 | Resistor - 100 Ω \pm 5%1/10W | 53 -226 |
| 1650 4102 | Resistor - 1K Ω \pm 5% 1/10W | 53 -227 |
| 1650 4103 | Resistor - 10K Ω \pm 5% 1/10W | 53 -228 |
| 1650 4104 | Resistor - 100K Ω \pm 5%1/10W | 45 -123 |
| 1650 4104 | Resistor - 100K Ω \pm 5%1/10W | 53 -229 |
| 1650 4105 | Resistor - 1M Ω \pm 5% 1/10W | 53 -230 |
| 1650 4106 | Resistor - 10M Ω \pm 5%1/10W | 53 -231 |
| 1650 4122 | Resistor - 1.2K Ω \pm 5% 1/10W | 53 -232 |
| 1650 4123 | Resistor - 12K Ω \pm 5%1/10W | 53 -233 |
| 1650 4151 | Resistor - 150 Ω \pm 5%1/10W | 45 -124 |
| 1650 4152 | Resistor - 1.5K Ω \pm 5% 1/10W | 53 -234 |
| 1650 4154 | Resistor 150k Ω \pm 5% 1/10W | 53 -235 |
| 1650 4180 | Chip Resistor - 18 Ω \pm 5% 1/10W | 45 -125 |
| 1650 4201 | Resistor - 200 Ω \pm 5%1/10W | 53 -236 |
| 1650 4202 | Resistor - 2K Ω \pm 5%1/10W | 53 -237 |
| 1650 4203 | Resistor - 20K Ω \pm 5% 1/10W | 53 -238 |
| 1650 4204 | Resistor - 200K Ω \pm 5%1/10W | 53 -239 |
| 1650 4222 | Resistor - 2.2K Ω \pm 5%1/10W | 53 -240 |
| 1650 4223 | Resistor - 22K Ω \pm 5%1/10W | 53 -241 |
| 1650 4274 | Resistor - 270K Ω \pm 5%1/10W | 53 -242 |
| 1650 4330 | Chip Resistor - 33 Ω \pm 5% 1/10W | 53 -243 |
| 1650 4332 | Resistor - 3.3K Ω \pm 5%1/10W | 53 -244 |
| 1650 4333 | Resistor - 33K Ω \pm 5%1/10W | 53 -245 |
| 1650 4334 | Resistor - 330K Ω \pm 5%1/10W | 53 -246 |

| Part No. | Description | Page and Index No. |
|-----------|--|--------------------|
| 1650 4361 | Resistor - 360 Ω \pm 5%1/10W | 53 -247 |
| 1650 4391 | Resistor - 390 Ω \pm 5% 1/10W | 53 -248 |
| 1650 4392 | Chip Resistor - 3.9k Ω \pm 5% 1/10W | 45 -126 |
| 1650 4392 | Chip Resistor - 3.9k Ω \pm 5% 1/10W | 53 -249 |
| 1650 4393 | Resistor - 39K Ω \pm 5% 1/10W | 53 -250 |
| 1650 4394 | Resistor - 390k Ω \pm 5% 1/10W | 53 -251 |
| 1650 4470 | Resistor - 47 Ω \pm 5%1/10W | 53 -252 |
| 1650 4471 | Resistor - 470 Ω \pm 5%1/10W | 53 -253 |
| 1650 4472 | Resistor - 4.7K Ω \pm 5% 1/10W | 53 -254 |
| 1650 4473 | Resistor - 47K Ω \pm 5%1/10W | 53 -255 |
| 1650 4510 | Resistor - 51 Ω \pm 5%1/10W | 53 -256 |
| 1650 4511 | Resistor - 510 Ω \pm 5%1/10W | 53 -257 |
| 1650 4560 | Chip Resistor - 56 Ω \pm 5% 1/10W | 53 -258 |
| 1650 4563 | Resistor - 56K Ω \pm 5% 1/10W | 53 -259 |
| 1650 4820 | Resistor - 82 Ω \pm 5% 1/10W | 53 -260 |
| 1654 1002 | Resistor - 10K Ω \pm 5% 1/10W | 53 -261 |
| 1654 1003 | Resistor - 100K Ω \pm 1% 1/10W | 53 -262 |
| 1654 1070 | Resistor - 107 Ω \pm 1% 1/10W | 53 -263 |
| 1654 1101 | Resistor - 1.1K Ω \pm 1% 1/10W | 53 -264 |
| 1654 1102 | Resistor - 11K Ω \pm 1% 1/10W | 53 -265 |
| 1654 1180 | Resistor - 118 Ω \pm 1% 1/10W | 53 -266 |
| 1654 1181 | Resistor - 1.18K Ω \pm 1% 1/10W | 53 -267 |
| 1654 1183 | Resistor - 118K Ω \pm 1% 1/10W | 53 -268 |
| 1654 1189 | Resistor - 11.8 Ω \pm 1% 1/10W | 53 -269 |
| 1654 1201 | Resistor - 1.2K Ω \pm 1% 1/10W | 53 -270 |
| 1654 1210 | Resistor - 121 Ω \pm 1% 1/10W | 53 -271 |
| 1654 1273 | Resistor - 127K Ω \pm 1% 1/10W | 53 -272 |
| 1654 1400 | Resistor - 140 Ω \pm 1% 1/10W | 53 -273 |
| 1654 1503 | Resistor - 150K Ω \pm 1% 1/10W | 53 -274 |
| 1654 1541 | Resistor - 1.54K Ω \pm 1% 1/10W | 53 -275 |
| 1654 1653 | Resistor - 165K Ω \pm 1% 1/10W | 53 -276 |
| 1654 1801 | Resistor - 1.8K Ω \pm 1% 1/10W | 53 -277 |
| 1654 1802 | Resistor - 18K Ω \pm 1% 1/10W | 53 -278 |
| 1654 2002 | Resistor - 20K Ω \pm 1%1/10W | 45 -127 |
| 1654 2002 | Resistor - 20K Ω \pm 1% 1/10W | 53 -279 |

| Part No. | Description | Page and Index No. |
|-----------|-----------------------------------|--------------------|
| 1654 2150 | Resistor - 215Ω ±1% 1/10W | 53 -280 |
| 1654 2401 | Resistor - 2.4KΩ ±1% 1/10W | 53 -281 |
| 1654 2490 | Resistor - 249Ω ±1% 1/10W | 53 -282 |
| 1654 2611 | Resistor - 2.61KΩ ±1% 1/10W | 53 -283 |
| 1654 2702 | Resistor - 27KΩ ±1% 1/10W | 53 -284 |
| 1654 2872 | Resistor 28.7kΩ ±1% 1/10w | 53 -285 |
| 1654 3303 | Resistor - 330KΩ ±1% 1/10W | 53 -286 |
| 1654 3579 | Resistor - 35.7Ω ±1% 1/10W | 53 -287 |
| 1654 3601 | Resistor - 3.6KΩ ±1% 1/10W | 53 -288 |
| 1654 4300 | Resistor - 430Ω ±1% 1/10W | 53 -289 |
| 1654 4301 | Resistor - 4.3KΩ ±1% 1/10W | 53 -290 |
| 1654 4302 | Resistor - 43KΩ ±1% 1/10W | 53 -291 |
| 1654 4533 | Chip Resistor - 453kΩ ±1% 1/10W | 53 -292 |
| 1654 4700 | Resistor - 470Ω ±1% 1/10W | 53 -293 |
| 1654 4702 | Chip Resistor - 47kΩ ±1% 1/10W | 45 -128 |
| 1654 4872 | Chip Resistor - 48.7k Ω ±1% 1/10W | 53 -294 |
| 1654 4990 | Resistor - 499Ω ±1% 1/10W | 53 -295 |
| 1654 5769 | Resistor - 57.6Ω ±1% 1/10W | 53 -296 |
| 1654 6202 | Resistor - 62KΩ ±1% 1/10W | 53 -297 |
| 1654 6490 | Resistor - 649Ω ±1% 1/10W | 53 -298 |
| 1654 7500 | Resistor - 750Ω ±1% 1/10W | 53 -299 |
| 1654 7689 | Resistor - 76.8Ω ±1% 1/10W | 53 -300 |
| 1654 8201 | Resistor - 8.2KΩ ±1% 1/10W | 53 -301 |
| 1654 9319 | Resistor - 93.1Ω ±1% 1/10W | 53 -302 |
| 1660 0100 | Capacitor - 10PF ±0.5pF 50V | 53 -303 |
| 1660 2101 | Capacitor - 100pF ±10% - 50V | 53 -304 |
| 1660 2120 | Capacitor - 12 pF ±5% 50V | 53 -305 |
| 1660 2150 | Capacitor - 15pF ±5% 50V | 53 -306 |
| 1660 2220 | Capacitor - 22pF ±20% 35V | 53 -307 |
| 1660 2221 | Capacitor - 220pF +80-20% 50V | 53 -308 |
| 1660 2271 | Capacitor - 270pF +80-20% - 50V | 53 -309 |
| 1660 2330 | Capacitor - 33pF ±5% - 50V | 53 -310 |
| 1660 2331 | Capacitor - 330pF ±5% 50V | 53 -311 |
| 1660 2391 | Capacitor - 390pF ±5% 50V | 53 -312 |
| 1660 2470 | Capacitor - 47pF ±5% 50V | 53 -313 |

| Part No. | Description | Page and Index No. |
|-----------|-----------------------------------|--------------------|
| 1660 2471 | Capacitor - 470pF ±5% - 50V | 53 -314 |
| 1660 2680 | Capacitor - 68pF ±5% 50V | 53 -315 |
| 1660 4102 | Capacitor - 1000pF ±10% 50V | 53 -316 |
| 1660 4222 | Capacitor - 2200pF ±10% - 50V | 53 -317 |
| 1660 4472 | Capacitor - 4700PF±10% 50V | 53 -318 |
| 1660 4682 | Capacitor - 6800pF 50V 1608 | 53 -319 |
| 1660 6103 | Capacitor - 10000pF - +80%-20%50V | 53 -320 |
| 1660 8104 | Capacitor - 0.1μF +80-20% 25V | 53 -321 |

| Part No. | Description | Page and Index No. |
|-----------|----------------|--------------------|
| 5215 2621 | Snap Ring - M6 | 23 - 12 |
| 5488 6223 | NCU Board | 35 - 14 |
| 5488 6223 | NCU Board | 45 - * |

| Part No. | Description | Page and Index No. |
|----------|-------------|--------------------|
|----------|-------------|--------------------|